



Message Implementation Guideline

INVRPT_TELEKOM_SLOVENIJE

based on

INVRPT

Inventory report message

EANCOM® 2002 S4

Version: v0
Variant: 1
Issue date: 3.6.2022
Author: ZZI d.o.o.

Message Structure.....	3
Branching Diagram	4
Segments	7
Applicable Codes	30
Sample Message	56

Inventory Report Heading Section

	UNH	1	M	1	- Message header
	BGM	2	M	1	- Beginning of message
	DTM	3	M	10	- Date/time/period
┌	SG2		R	20	- NAD-SG3
	NAD	4	M	1	- Name and address
└	SG3		R	99	- RFF
┌	RFF	5	M	1	- Reference
	SG2		R	20	- NAD-SG3
	NAD	6	M	1	- Name and address
└	SG3		R	99	- RFF
┌	RFF	7	M	1	- Reference

Inventory Report Detail Section

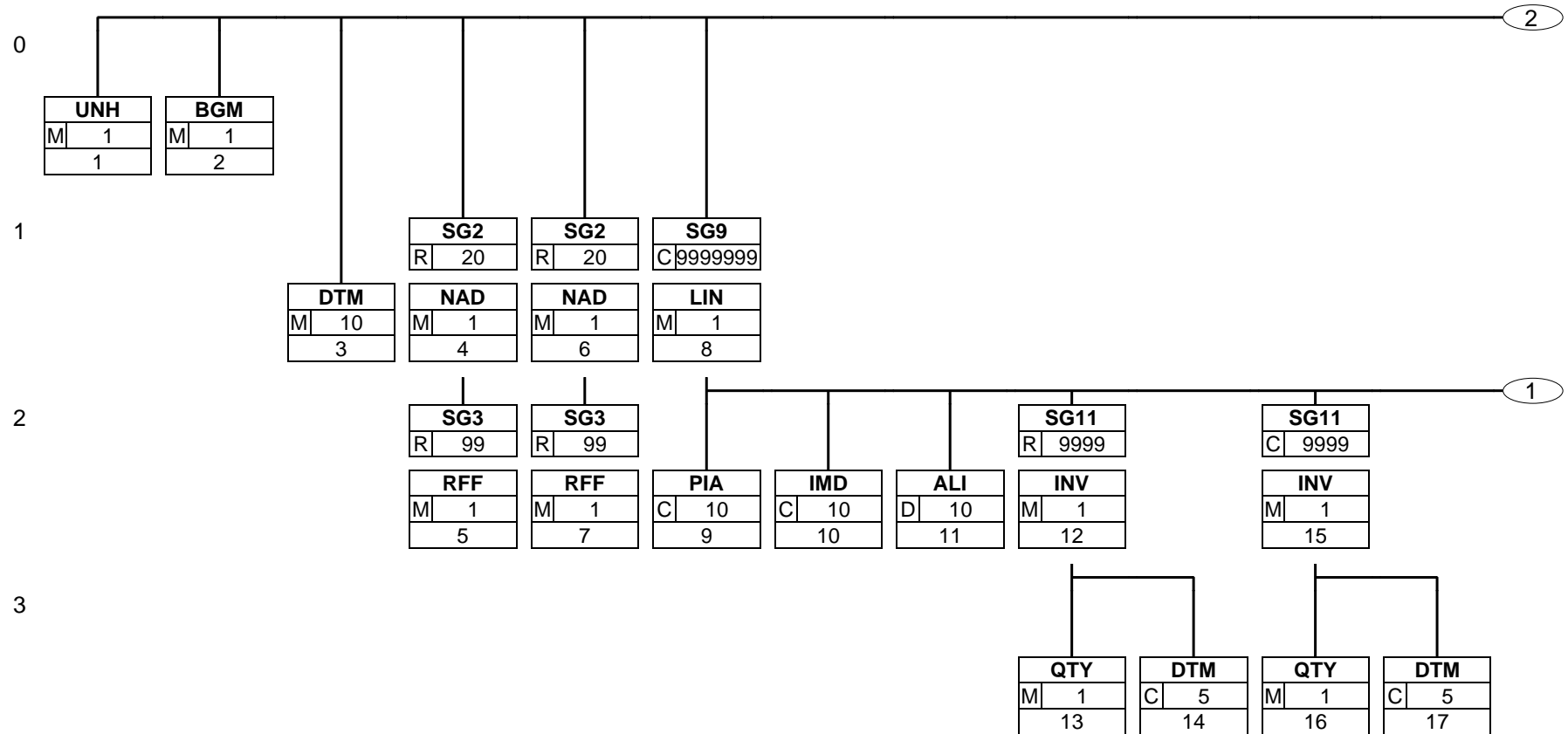
┌	SG9		C	9999999	- LIN-PIA-IMD-ALI-SG11-SG11-SG11
	LIN	8	M	1	- Line item
	PIA	9	C	10	- Additional product id
	IMD	10	C	10	- Item description
	ALI	11	D	10	- Additional information
└	SG11		R	9999	- INV-QTY-DTM
┌	INV	12	M	1	- Inventory management related details
	QTY	13	M	1	- Quantity
└	DTM	14	C	5	- Date/time/period
┌	SG11		C	9999	- INV-QTY-DTM
	INV	15	M	1	- Inventory management related details
	QTY	16	M	1	- Quantity
└	DTM	17	C	5	- Date/time/period
┌	SG11		C	9999	- INV-QTY-DTM
	INV	18	M	1	- Inventory management related details
	QTY	19	M	1	- Quantity
└	DTM	20	C	5	- Date/time/period

Inventory Report Summary Section

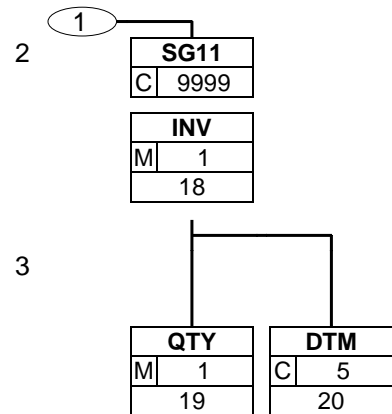
	UNT	21	C	1	- Message trailer
--	-----	----	---	---	-------------------

St = Status
 EDIFACT: M=Mandatory, C=Conditional
 User specific: R=Required, O=Optional, D=Dependent, A=Advised, N=Not used, X=Not used

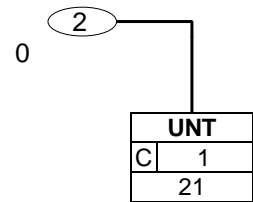
INVRPT Inventory report message
Branching Diagram



Status: M=Mandatory, C=Conditional, R=Required, O=Optional, D=Dependent, A=Advised, N=Not used, X=Not used



Status: M=Mandatory, C=Conditional, R=Required, O=Optional, D=Dependent, A=Advised, N=Not used, X=Not used



Status: M=Mandatory, C=Conditional, R=Required, O=Optional, D=Dependent, A=Advised, N=Not used, X=Not used

Segment number: 1

UNH - M 1 - Message header						
Function: To head, identify and specify a message.						
Notes: 1. Data element S009/0057 is retained for upward compatibility. The use of S016 and/or S017 is encouraged in preference. 2. The combination of the values carried in data elements 0062 and S009 shall be used to identify uniquely the message within its group (if used) or if not used, within its interchange, for the purpose of acknowledgement.						
EDIFACT			EAN			
Tag	Name	St/Format	St	*	Usage	Example
0062	Message reference number	M an..14	M		Senders unique message reference. Sequence number of messages in the interchange. DE 0062 in UNT will have the same value. Generated by the sender.	TS000005
S009	MESSAGE IDENTIFIER	M	M			
0065	Message type	M an..6	M	*	INVRPT = Inventory report message	INVRPT
0052	Message version number	M an..3	M	*	D = Draft version/UN/EDIFACT Directory	D
0054	Message release number	M an..3	M	*	01B = Release 2001 - B	01B
0051	Controlling agency, coded	M an..3	M	*	UN = UN/CEFACT	UN
Segment Notes: This segment is used to head, identify and specify a message. Example: UNH+TS000005+INVRPT:D:01B:UN'						

* = Restricted Codes

St = Status
EDIFACT: M=Mandatory, C=Conditional
User specific: R=Required, O=Optional, D=Dependent,
A=Advised, N=Not used, X=Not used

Segment number: 2

BGM - M 1 - Beginning of message						
Function: To indicate the type and function of a message and to transmit the identifying number.						
EDIFACT			EAN			
Tag	Name	St/Format	St	*	Usage	Example
C002	DOCUMENT/MESSAGE NAME	C	R			
1001	Document name code	C an..3	R		35 = Inventory report	35
C106	DOCUMENT/MESSAGE IDENTIFICATION	C	R			
1004	Document identifier	C an..70	R		Inventory Report number assigned by the document sender.	INVR123450
1225	Message function code	C an..3	R		<p>4 = Change 47 = Definitive</p> <p>The message function, coded is a critical data element in this segment. It applies to all data indicated in the message. The following definitions apply for the restricted codes:</p> <p>4 = Change - This code is used to modify any information relevant to a product already known by the trading partner. Only the segments containing modified information needs to be sent. All previously sent data in a modified segment must be provided. All occurrences (repetitions) of a modified segment mustbe provided (whether modified or not).</p> <p>47 = Definitive - This code is used to indicate that the content of the price/sales catalogue message is definitive. Note: Items not included in the message will be considered as discontinued.</p>	4
<p>Segment Notes:</p> <p>This segment is used to indicate the type and function of a message and to transmit the identifying number. All references other than the document number DE 1004 are to be put in the RFF segment.</p> <p>Example: BGM+35+INVR123450+4'</p>						

* = Restricted Codes

St = Status
EDIFACT: M=Mandatory, C=Conditional
User specific: R=Required, O=Optional, D=Dependent,
A=Advised, N=Not used, X=Not used

Segment Details

Segment number: 3

DTM - M 10 - Date/time/period						
Function: To specify date, and/or time, or period.						
EDIFACT			EAN			
Tag	Name	St/Format	St	*	Usage	Example
C507	DATE/TIME/PERIOD	M	M			
2005	Date or time or period function code qualifier	M an..3	M		137 = Document/message date/ time 366 = Inventory report date	137
2380	Date or time or period value	C an..35	R			20210305
2379	Date or time or period format code	C an..3	R		204 = CCYYMMDDHHMMSS 102 = CCYYMMDD	102
<p>Segment Notes:</p> <p>This segment is used to specify any dates relevant to the complete Inventory Report.</p> <p>DE 2005: Identification of the 'Document/message date/time' (code value 137) is mandatory in an EANCOM message.</p> <p>Example: DTM+137:20210305:102'</p>						

* = Restricted Codes

St = Status
 EDIFACT: M=Mandatory, C=Conditional
 User specific: R=Required, O=Optional, D=Dependent,
 A=Advised, N=Not used, X=Not used

Segment number: 4

SG2	- R	20 - NAD-SG3				
NAD	- M	1 - Name and address				
Function:						
To specify the name/address and their related function, either by C082 only and/or unstructured by C058 or structured by C080 thru 3207.						
EDIFACT			EAN			
Tag	Name	St/Format	St	*	Usage	Example
3035	Party function code qualifier	M an..3	M		BY = Buyer	BY
C082	PARTY IDENTIFICATION DETAILS	C	R		For identification of the party C082 must be used. Exceptions are only allowed for parties without GLN. For parties without GLN usage of SG3 is required.	
3039	Party identifier	M an..70	M		GLN - Format n13	3830018249 996
1131	Code list identification code	C an..17	N		Not used	
3055	Code list responsible agency code	C an..3	R		9 = GS1	9
C058	NAME AND ADDRESS	C	N			
3124	Name and address description	M an..35	N		Not used	
C080	PARTY NAME	C	C			
3036	Party name	M an..70	M			TELEKOM SLOVENIJE , d.d.
3036	Party name	C an..70	C			X
C059	STREET	C	C			
3042	Street and number or post office box identifier	M an..35	M			Cigaletova ulica 15
3042	Street and number or post office box identifier	C an..35	C			X
3164	City name	C an..35	C			Ljubljana
C819	COUNTRY SUB-ENTITY DETAILS	C	N			
3229	Country sub-entity name code	C an..9	N		Not used	
3251	Postal identification code	C an..17	C			1000
3207	Country name code	C an..3	C			SI
Segment Notes:						
This segment is used to identify the trading partners involved in the Order process. Identification of the buyer and						

* = Restricted Codes

St = Status
EDIFACT: M=Mandatory, C=Conditional
User specific: R=Required, O=Optional, D=Dependent,
A=Advised, N=Not used, X=Not used

Segment Details

Segment number: 4

supplier of goods and services is mandatory using DE's 3035 and C082.

Example: NAD+BY+3830018249996::9++TELEKOM SLOVENIJE, d.d.:X+Cigaletova ulica 15:X+Ljubljana++
1000+SI'

* = Restricted Codes

St = Status

EDIFACT: M=Mandatory, C=Conditional

User specific: R=Required, O=Optional, D=Dependent,

A=Advised, N=Not used, X=Not used

Segment Details

Segment number: 5

SG2	- R	20 - NAD-SG3				
SG3	- R	99 - RFF				
RFF	- M	1 - Reference				
Function: To specify a reference.						
EDIFACT			EAN			
Tag	Name	St/Format	St	*	Usage	Example
C506	REFERENCE	M	M			
1153	Reference code qualifier	M an..4	M		VA = VAT registration number	VA
1154	Reference identifier	C an..70	R			SI98511734
<p>Segment Notes:</p> <p>This segment is used to specify reference numbers related to the party specified in the previous NAD segment. For Buyer(BY) and Supplier(SU) usage of VAT registration number(VA) is required. Usage of other codes should be mutually defined among trading partners.</p> <p>Example: RFF+VA:SI98511734'</p>						

* = Restricted Codes

St = Status
 EDIFACT: M=Mandatory, C=Conditional
 User specific: R=Required, O=Optional, D=Dependent,
 A=Advised, N=Not used, X=Not used

Segment Details

Segment number: 6

SG2	- R	20 - NAD-SG3				
NAD	- M	1 - Name and address				
Function:						
To specify the name/address and their related function, either by C082 only and/or unstructured by C058 or structured by C080 thru 3207.						
EDIFACT			EAN			
Tag	Name	St/Format	St	*	Usage	Example
3035	Party function code qualifier	M an..3	M		SU = Supplier	SU
C082	PARTY IDENTIFICATION DETAILS	C	R		For identification of the party C082 must be used. Exceptions are only allowed for parties without GLN. For parties without GLN usage of SG3 is required.	
3039	Party identifier	M an..70	M		GLN - Format n13	3834567000 210
1131	Code list identification code	C an..17	N		Not used	
3055	Code list responsible agency code	C an..3	R		9 = GS1	9
C058	NAME AND ADDRESS	C	N			
3124	Name and address description	M an..35	N		Not used	
C080	PARTY NAME	C	C			
3036	Party name	M an..70	M			Dobavitelj d.o.o.
3036	Party name	C an..70	C			X
C059	STREET	C	C			
3042	Street and number or post office box identifier	M an..35	M			Dobaviteljev a ulica 20
3042	Street and number or post office box identifier	C an..35	C			X
3164	City name	C an..35	C			Nova Gorica
C819	COUNTRY SUB-ENTITY DETAILS	C	N			
3229	Country sub-entity name code	C an..9	N		Not used	
3251	Postal identification code	C an..17	C			5000
3207	Country name code	C an..3	C			SI
Segment Notes:						
This segment is used to identify the trading partners involved in the Order process. Identification of the buyer and supplier of goods and services is mandatory using DE's 3035 and C082.						

* = Restricted Codes

St = Status

EDIFACT: M=Mandatory, C=Conditional

User specific: R=Required, O=Optional, D=Dependent,

A=Advised, N=Not used, X=Not used

Segment Details

Segment number: 6

Example: NAD+SU+3834567000210::9++Dobavitelj d.o.o.:X+Dobaviteljeva ulica 20:X+Nova Gorica++5000+SI'
--

* = Restricted Codes

St = Status

EDIFACT: M=Mandatory, C=Conditional

User specific: R=Required, O=Optional, D=Dependent,

A=Advised, N=Not used, X=Not used

Segment Details

Segment number: 7

SG2	- R	20 - NAD-SG3				
SG3	- R	99 - RFF				
RFF	- M	1 - Reference				
Function: To specify a reference.						
EDIFACT			EAN			
Tag	Name	St/Format	St	*	Usage	Example
C506	REFERENCE	M	M			
1153	Reference code qualifier	M an..4	M		VA = VAT registration number	VA
1154	Reference identifier	C an..70	R			SI12345678
<p>Segment Notes:</p> <p>This segment is used to specify reference numbers related to the party specified in the previous NAD segment. For Buyer(BY) and Supplier(SU) usage of VAT registration number(VA) is required. Usage of other codes should be mutually defined among trading partners.</p> <p>Example: RFF+VA:SI12345678'</p>						

* = Restricted Codes

St = Status
 EDIFACT: M=Mandatory, C=Conditional
 User specific: R=Required, O=Optional, D=Dependent,
 A=Advised, N=Not used, X=Not used

Segment Details

Segment number: 8

SG9	- C	9999999	- LIN-PIA-IMD-ALI-SG11			
LIN	- M	1	- Line item			
Function: To identify a line item and configuration.						
EDIFACT			EAN			
Tag	Name	St/Format	St	*	Usage	Example
1082	Line item identifier	C an..6	R		Application generated number of the count of the item lines within the Inventory Report.	1
1229	Action request/notification description code	C an..3	N		Not used	
C212	ITEM NUMBER IDENTIFICATION	C	R		This composite is only used for the identification of EAN/UPC codes. If another coding structure is required, e.g. HIBC, this composite will not be used and the code will be detailed in the PIA segment.	
7140	Item identifier	C an..35	R		Format n..14 GTIN - this is the number of the article being reported.	8806000007501
7143	Item type identification code	C an..4	R	*	SRV = GS1 Global Trade Item Number	SRV
<p>Segment Notes:</p> <p>This segment is used to identify a specific line item in the inventory report. If Global Trade Item Numbers are available it is mandatory to use GTIN within the LIN segment. The detail section of the Inventory Report is formed by a repeating group of segments, always starting with the LIN segment. Example: LIN+1++8806000007501:SRV'</p>						

* = Restricted Codes

St = Status
 EDIFACT: M=Mandatory, C=Conditional
 User specific: R=Required, O=Optional, D=Dependent,
 A=Advised, N=Not used, X=Not used

Segment Details

Segment number: 9

SG9	- C	9999999	- LIN-PIA-IMD-ALI-SG11			
PIA	- C	10	- Additional product id			
Function: To specify additional or substitutional item identification codes.						
EDIFACT			EAN			
Tag	Name	St/Format	St	*	Usage	Example
4347	Product identifier code qualifier	M an..3	M		5 = Product identification	5
C212	ITEM NUMBER IDENTIFICATION	M	M			
7140	Item identifier	C an..35	R			ABC5343
7143	Item type identification code	C an..4	R		SA = Supplier's article number	SA
Segment Notes: This segment is used to specify additional item identification codes such as a buyer's or supplier's item number. Example: PIA+5+ABC5343:SA'						

* = Restricted Codes

St = Status
 EDIFACT: M=Mandatory, C=Conditional
 User specific: R=Required, O=Optional, D=Dependent,
 A=Advised, N=Not used, X=Not used

Segment Details

Segment number: 10

SG9	- C	9999999	- LIN-PIA-IMD-ALI-SG11		
IMD	- C	10	- Item description		
Function: To describe an item in either an industry or free format.					
EDIFACT			EAN		
Tag	Name	St/Format	St	* Usage	Example
7077	Description format code	C an..3	N	Not used	
C272	ITEM CHARACTERISTIC	C	N		
7081	Item characteristic code	C an..3	N	Not used	
C273	ITEM DESCRIPTION	C	C		
7009	Item description code	C an..17	N	Not used	
1131	Code list identification code	C an..17	N	Not used	
3055	Code list responsible agency code	C an..3	N	Not used	
7008	Item description	C an..256	R		LED TV GORENJE 50AB0001
7008	Item description	C an..256	C		X
Segment Notes: This segment is used to describe the current line item. It is recommended that this segment only be used for coded descriptions. Data element 7008 in clear text should only be used when no product code is available or when free-form descriptions are required by the trading partners. Example: IMD+++:::LED TV GORENJE 50AB0001:X'					

* = Restricted Codes

St = Status
EDIFACT: M=Mandatory, C=Conditional
User specific: R=Required, O=Optional, D=Dependent,
A=Advised, N=Not used, X=Not used

Segment Details

Segment number: 11

SG9	- C	9999999	- LIN-PIA-IMD-ALI-SG11		
ALI	- D	10	- Additional information		
Function: To indicate that special conditions due to the origin, customs preference, fiscal or commercial factors are applicable.					
EDIFACT			EAN		
Tag	Name	St/Format	St	* Usage	Example
3239	Country of origin name code	C an..3	N	Not used	
9213	Duty regime type code	C an..3	N	Not used	
4183	Special condition code	C an..3	R	130 = Discontinued	130
Segment Notes: This segment is used to state that the article is no longer available. Example: ALI+++130'					

* = Restricted Codes

St = Status
EDIFACT: M=Mandatory, C=Conditional
User specific: R=Required, O=Optional, D=Dependent,
A=Advised, N=Not used, X=Not used

Segment Details

Segment number: 12

SG9	- C	9999999	- LIN-PIA-IMD-ALI-SG11
SG11	- R	9999	- INV-QTY-DTM
INV	- M	1	- Inventory management related details

Function:

To provide the different information related to the inventory management functions and needed to process properly the inventory movements and the inventory balances.

EDIFACT			EAN			
Tag	Name	St/Format	St	*	Usage	Example
4501	Inventory movement direction code	C an..3	N		Not used	
7491	Inventory type code	C an..3	N		Not used	
4499	Inventory movement reason code	C an..3	N		Not used	
4503	Inventory balance method code	C an..3	R		2 = Formal inventory balance	2

Segment Notes:

This segment is used to identify the inventory movement direction.

Example: INV++++2'

* = Restricted Codes

St = Status

EDIFACT: M=Mandatory, C=Conditional

User specific: R=Required, O=Optional, D=Dependent,

A=Advised, N=Not used, X=Not used

Segment Details

Segment number: 13

SG9	- C	9999999	- LIN-PIA-IMD-ALI-SG11		
SG11	- R	9999	- INV-QTY-DTM		
QTY	- M	1	- Quantity		
Function: To specify a pertinent quantity.					
EDIFACT			EAN		
Tag	Name	St/Format	St	* Usage	Example
C186	QUANTITY DETAILS	M	M		
6063	Quantity type code qualifier	M an..3	M	145 = Actual stock	145
6060	Quantity	M an..35	M		12
6411	Measurement unit code	C an..8	D	KGM = kilogram LTR = litre MTR = metre PCE = Piece (GS1 Temporary Code) Measurement unit code (See EANCOM DE 6411 Codes Set)	PCE
Segment Notes: This segment is used to express the quantities related to the current line item. Example: QTY+145:12:PCE'					

* = Restricted Codes

St = Status
 EDIFACT: M=Mandatory, C=Conditional
 User specific: R=Required, O=Optional, D=Dependent,
 A=Advised, N=Not used, X=Not used

Segment Details

Segment number: 14

SG9	- C	9999999	- LIN-PIA-IMD-ALI-SG11		
SG11	- R	9999	- INV-QTY-DTM		
DTM	- C	5	- Date/time/period		
Function: To specify date, and/or time, or period.					
EDIFACT			EAN		
Tag	Name	St/Format	St	* Usage	Example
C507	DATE/TIME/PERIOD	M	M		
2005	Date or time or period function code qualifier	M an..3	M	55 = Confirmed date/time	55
2380	Date or time or period value	C an..35	R		20210401
2379	Date or time or period format code	C an..3	R	102 = CCYYMMDD 204 = CCYYMMDDHHMMSS	102
Segment Notes: This segment is used to specify dates relevant to the quantity (or sub-quantity) specified in the QTY segment for the current line item. Example: DTM+55:20210401:102'					

* = Restricted Codes

St = Status
EDIFACT: M=Mandatory, C=Conditional
User specific: R=Required, O=Optional, D=Dependent,
A=Advised, N=Not used, X=Not used

Segment Details

Segment number: 15

SG9	- C	9999999	- LIN-PIA-IMD-ALI-SG11
SG11	- C	9999	- INV-QTY-DTM
INV	- M	1	- Inventory management related details

Function:

To provide the different information related to the inventory management functions and needed to process properly the inventory movements and the inventory balances.

EDIFACT			EAN			
Tag	Name	St/Format	St	*	Usage	Example
4501	Inventory movement direction code	C an..3	N		Not used	
7491	Inventory type code	C an..3	N		Not used	
4499	Inventory movement reason code	C an..3	N		Not used	
4503	Inventory balance method code	C an..3	R		2 = Formal inventory balance	2

Segment Notes:

This segment is used to identify the inventory movement direction.

Example: INV++++2'

* = Restricted Codes

St = Status

EDIFACT: M=Mandatory, C=Conditional

User specific: R=Required, O=Optional, D=Dependent,

A=Advised, N=Not used, X=Not used

Segment Details

Segment number: 16

SG9	- C	9999999	- LIN-PIA-IMD-ALI-SG11		
SG11	- C	9999	- INV-QTY-DTM		
QTY	- M	1	- Quantity		
Function: To specify a pertinent quantity.					
EDIFACT			EAN		
Tag	Name	St/Format	St	* Usage	Example
C186	QUANTITY DETAILS	M	M		
6063	Quantity type code qualifier	M an..3	M	256 = Quantity awaiting delivery	256
6060	Quantity	M an..35	M		12
6411	Measurement unit code	C an..8	D	KGM = kilogram LTR = litre MTR = metre PCE = Piece (GS1 Temporary Code) Measurement unit code (See EANCOM DE 6411 Codes Set)	PCE
Segment Notes: This segment is used to express the quantities related to the current line item. Example: QTY+256:12:PCE'					

* = Restricted Codes

St = Status
 EDIFACT: M=Mandatory, C=Conditional
 User specific: R=Required, O=Optional, D=Dependent,
 A=Advised, N=Not used, X=Not used

Segment Details

Segment number: 17

SG9	- C	9999999	- LIN-PIA-IMD-ALI-SG11		
SG11	- C	9999	- INV-QTY-DTM		
DTM	- C	5	- Date/time/period		
Function: To specify date, and/or time, or period.					
EDIFACT			EAN		
Tag	Name	St/Format	St	* Usage	Example
C507	DATE/TIME/PERIOD	M	M		
2005	Date or time or period function code qualifier	M an..3	M	67 = Delivery date/time, current schedule	67
2380	Date or time or period value	C an..35	R		20210401
2379	Date or time or period format code	C an..3	R	102 = CCYYMMDD 204 = CCYYMMDDHHMMSS	102
Segment Notes: This segment is used to specify dates relevant to the quantity (or sub-quantity) specified in the QTY segment for the current line item. Example: DTM+67:20210401:102'					

* = Restricted Codes

St = Status
EDIFACT: M=Mandatory, C=Conditional
User specific: R=Required, O=Optional, D=Dependent,
A=Advised, N=Not used, X=Not used

Segment Details

Segment number: 18

SG9	- C	9999999	- LIN-PIA-IMD-ALI-SG11
SG11	- C	9999	- INV-QTY-DTM
INV	- M	1	- Inventory management related details

Function:

To provide the different information related to the inventory management functions and needed to process properly the inventory movements and the inventory balances.

EDIFACT			EAN			
Tag	Name	St/Format	St	*	Usage	Example
4501	Inventory movement direction code	C an..3	N		Not used	
7491	Inventory type code	C an..3	N		Not used	
4499	Inventory movement reason code	C an..3	N		Not used	
4503	Inventory balance method code	C an..3	R		2 = Formal inventory balance	2

Segment Notes:

This segment is used to identify the inventory movement direction.

Example: INV++++2'

* = Restricted Codes

St = Status
 EDIFACT: M=Mandatory, C=Conditional
 User specific: R=Required, O=Optional, D=Dependent,
 A=Advised, N=Not used, X=Not used

Segment Details

Segment number: 19

SG9	- C	9999999	- LIN-PIA-IMD-ALI-SG11		
SG11	- C	9999	- INV-QTY-DTM		
QTY	- M	1	- Quantity		
Function: To specify a pertinent quantity.					
EDIFACT			EAN		
Tag	Name	St/Format	St	* Usage	Example
C186	QUANTITY DETAILS	M	M		
6063	Quantity type code qualifier	M an..3	M	248 = Reserved quantity	248
6060	Quantity	M an..35	M		12
6411	Measurement unit code	C an..8	D	KGM = kilogram LTR = litre MTR = metre PCE = Piece (GS1 Temporary Code) Measurement unit code (See EANCOM DE 6411 Codes Set)	PCE
Segment Notes: This segment is used to express the quantities related to the current line item. Example: QTY+248:12:PCE'					

* = Restricted Codes

St = Status
 EDIFACT: M=Mandatory, C=Conditional
 User specific: R=Required, O=Optional, D=Dependent,
 A=Advised, N=Not used, X=Not used

Segment Details

Segment number: 20

SG9	- C	9999999	- LIN-PIA-IMD-ALI-SG11			
SG11	- C	9999	- INV-QTY-DTM			
DTM	- C	5	- Date/time/period			
Function: To specify date, and/or time, or period.						
EDIFACT			EAN			
Tag	Name	St/Format	St	*	Usage	Example
C507	DATE/TIME/PERIOD	M	M			
2005	Date or time or period function code qualifier	M an..3	M		55 = Confirmed date/time	55
2380	Date or time or period value	C an..35	R			20210401
2379	Date or time or period format code	C an..3	R		102 = CCYYMMDD 204 = CCYYMMDDHHMMSS	102
Segment Notes: This segment is used to specify dates relevant to the quantity (or sub-quantity) specified in the QTY segment for the current line item. Example: DTM+55:20210401:102'						

* = Restricted Codes

St = Status
EDIFACT: M=Mandatory, C=Conditional
User specific: R=Required, O=Optional, D=Dependent,
A=Advised, N=Not used, X=Not used

Segment Details

Segment number: 21

UNT - C 1 - Message trailer						
Function: To end and check the completeness of a message.						
Notes: 1. 0062, the value shall be identical to the value in 0062 in the corresponding UNH segment.						
EDIFACT			EAN			
Tag	Name	St/Format	St	*	Usage	Example
0074	Number of segments in a message	M n..10	M		The total number of segments in the message is detailed here.	21
0062	Message reference number	M an..14	M		The message reference numbered detailed here should equal the one specified in the UNH segment.	TS000005
Segment Notes: The UNT segment is a mandatory UN/EDIFACT segment. It must always be the last segment in the message. Example: UNT+21+TS000005'						

* = Restricted Codes

St = Status
 EDIFACT: M=Mandatory, C=Conditional
 User specific: R=Required, O=Optional, D=Dependent,
 A=Advised, N=Not used, X=Not used

Applicable codes, sorted by data elements

0051 Controlling agency, coded

Code	Code name/description
UN	UN/CEFACT United Nations Centre for Trade Facilitation and Electronic Business (UN/CEFACT).

Applicable codes, sorted by data elements

0052 Message version number

Code	Code name/description
D	Draft version/UN/EDIFACT Directory Message approved and issued as a draft message (Valid for directories published after March 1993 and prior to March 1997). Message approved as a standard message (Valid for directories published after March 1997).

Applicable codes, sorted by data elements

0054 Message release number

Code	Code name/description
01B	Release 2001 - B Message approved and issued in the second 2001 release of the UNTDID (United Nations Trade Data Interchange Directory).

Applicable codes, sorted by data elements

0065 Message type

Code	Code name/description
INVRPT	Inventory report message A code to identify the inventory report message.

Applicable codes, sorted by data elements

1001 Document name code

Code	Code name/description
35	Inventory report A message specifying information relating to held inventories.

Applicable codes, sorted by data elements

1153 Reference code qualifier

Code	Code name/description
VA	VAT registration number Unique number assigned by the relevant tax authority to identify a party for use in relation to Value Added Tax (VAT).

Applicable codes, sorted by data elements

1225 Message function code

Code	Code name/description
4	Change Message containing items to be changed.
47	Definitive Message content is definitive.

Applicable codes, sorted by data elements

2005 Date or time or period function code qualifier

Code	Code name/description
55	Confirmed date/time Date/time which has been confirmed.
67	Delivery date/time, current schedule Delivery Date deriving from actual schedule.
137	Document/message date/time (2006) Date/time when a document/message is issued. This may include authentication.
366	Inventory report date Date on which a inventory report is made.

Applicable codes, sorted by data elements

2379 Date or time or period format code

Code	Code name/description
102	CCYYMMDD Calendar date: C = Century ; Y = Year ; M = Month ; D = Day.
204	CCYYMMDDHHMMSS Calendar date including time with seconds: C=Century;Y=Year; M=Month;D=Day;H=Hour; M=Minute;S=Second.

Applicable codes, sorted by data elements

3035 Party function code qualifier

Code	Code name/description
BY	Buyer Party to whom merchandise and/or service is sold.
SU	Supplier Party who supplies goods and/or services.

Applicable codes, sorted by data elements

3055 Code list responsible agency code

Code	Code name/description
9	GS1 GS1 (formerly EAN International), an organisation of GS1 Member Organisations, which manages the GS1 System.

Applicable codes, sorted by data elements

3207 Country name code

Code	Code name/description
AD	ANDORRA
AE	UNITED ARAB EMIRATES
AF	AFGHANISTAN
AG	ANTIGUA AND BARBUDA
AI	ANGUILLA
AL	ALBANIA
AM	ARMENIA
AN	NETHERLANDS ANTILLES
AO	ANGOLA
AQ	ANTARCTICA
AR	ARGENTINA
AS	AMERICAN SAMOA
AT	AUSTRIA
AU	AUSTRALIA
AW	ARUBA
AZ	AZERBAIJAN
BA	BOSNIA AND HERZEGOVINA
BB	BARBADOS
BD	BANGLADESH
BE	BELGIUM
BF	BURKINA FASO
BG	BULGARIA
BH	BAHRAIN
BI	BURUNDI
BJ	BENIN
BM	BERMUDA
BN	BRUNEI DARUSSALAM
BO	BOLIVIA
BR	BRAZIL

Applicable Codes

Applicable codes, sorted by data elements

BS	BAHAMAS
BT	BHUTAN
BV	BOUVET ISLAND
BW	BOTSWANA
BY	BELARUS
BZ	BELIZE
CA	CANADA
CC	COCOS (KEELING) ISLANDS
CD	CONGO, THE DEMOCRATIC REPUBLIC OF THE
CF	CENTRAL AFRICAN REPUBLIC
CG	CONGO
CH	SWITZERLAND
CI	COTE D'IVOIRE
CK	COOK ISLANDS
CL	CHILE
CM	CAMEROON
CN	CHINA
CO	COLOMBIA
CR	COSTA RICA
CU	CUBA
CV	CAPE VERDE
CX	CHRISTMAS ISLAND
CY	CYPRUS
CZ	CZECH REPUBLIC
DE	GERMANY
DJ	DJIBOUTI
DK	DENMARK
DM	DOMINICA
DO	DOMINICAN REPUBLIC
DZ	ALGERIA
EC	ECUADOR
EE	ESTONIA

Applicable Codes

Applicable codes, sorted by data elements

EG	EGYPT
EH	WESTERN SAHARA
ER	ERITREA
ES	SPAIN
ET	ETHIOPIA
FI	FINLAND
FJ	FIJI
FK	FALKLAND ISLANDS (MALVINAS)
FM	MICRONESIA, FEDERATED STATES OF
FO	FAROE ISLANDS
FR	FRANCE
GA	GABON
GB	UNITED KINGDOM
GD	GRENADA
GE	GEORGIA
GF	FRENCH GUIANA
GH	GHANA
GI	GIBRALTAR
GL	GREENLAND
GM	GAMBIA
GN	GUINEA
GP	GUADELOUPE
GQ	EQUATORIAL GUINEA
GR	GREECE
GS	SOUTH GEORGIA AND THE SOUTH SANDWICH ISLANDS
GT	GUATEMALA
GU	GUAM
GW	GUINEA-BISSAU
GY	GUYANA
HK	HONG KONG
HM	HEARD ISLAND AND MCDONALD ISLANDS
HN	HONDURAS

Applicable Codes

Applicable codes, sorted by data elements

HR	CROATIA
HT	HAITI
HU	HUNGARY
ID	INDONESIA
IE	IRELAND
IL	ISRAEL
IN	INDIA
IO	BRITISH INDIAN OCEAN TERRITORY
IQ	IRAQ
IR	IRAN, ISLAMIC REPUBLIC OF
IS	ICELAND
IT	ITALY
JM	JAMAICA
JO	JORDAN
JP	JAPAN
KE	KENYA
KG	KYRGYZSTAN
KH	CAMBODIA
KI	KIRIBATI
KM	COMOROS
KN	SAINT KITTS AND NEVIS
KP	KOREA, DEMOCRATIC PEOPLE'S REPUBLIC OF
KR	KOREA, REPUBLIC OF
KW	KUWAIT
KY	CAYMAN ISLANDS
KZ	KAZAKSTAN
LA	LAO PEOPLE'S DEMOCRATIC REPUBLIC
LB	LEBANON
LC	SAINT LUCIA
LI	LIECHTENSTEIN
LK	SRI LANKA
LR	LIBERIA

Applicable Codes

Applicable codes, sorted by data elements

LS	LESOTHO
LT	LITHUANIA
LU	LUXEMBOURG
LV	LATVIA
LY	LIBYAN ARAB JAMAHIRIYA
MA	MOROCCO
MC	MONACO
MD	MOLDOVA, REPUBLIC OF
MG	MADAGASCAR
MH	MARSHALL ISLANDS
MK	MACEDONIA, THE FORMER YUGOSLAV REPUBLIC OF
ML	MALI
MM	MYANMAR
MN	MONGOLIA
MO	MACAU
MP	NORTHERN MARIANA ISLANDS
MQ	MARTINIQUE
MR	MAURITANIA
MS	MONTSERRAT
MT	MALTA
MU	MAURITIUS
MV	MALDIVES
MW	MALAWI
MX	MEXICO
MY	MALAYSIA
MZ	MOZAMBIQUE
NA	NAMIBIA
NC	NEW CALEDONIA
NE	NIGER
NF	NORFOLK ISLAND
NG	NIGERIA
NI	NICARAGUA

Applicable Codes

Applicable codes, sorted by data elements

NL	NETHERLANDS
NO	NORWAY
NP	NEPAL
NR	NAURU
NU	NIUE
NZ	NEW ZEALAND
OM	OMAN
PA	PANAMA
PE	PERU
PF	FRENCH POLYNESIA
PG	PAPUA NEW GUINEA
PH	PHILIPPINES
PK	PAKISTAN
PL	POLAND
PM	SAINT PIERRE AND MIQUELON
PN	PITCAIRN
PR	PUERTO RICO
PS	PALESTINIAN TERRITORY, OCCUPIED
PT	PORTUGAL
PW	PALAU
PY	PARAGUAY
QA	QATAR
RE	REUNION
RO	ROMANIA
RS	SERBIA
RU	RUSSIAN FEDERATION
RW	RWANDA
SA	SAUDI ARABIA
SB	SOLOMON ISLANDS
SC	SEYCHELLES
SD	SUDAN
SE	SWEDEN

Applicable Codes

Applicable codes, sorted by data elements

SG	SINGAPORE
SH	SAINT HELENA
SI	SLOVENIA
SJ	SVALBARD AND JAN MAYEN
SK	SLOVAKIA
SL	SIERRA LEONE
SM	SAN MARINO
SN	SENEGAL
SO	SOMALIA
SR	SURINAME
ST	SAO TOME AND PRINCIPE
SV	EL SALVADOR
SY	SYRIAN ARAB REPUBLIC
SZ	SWAZILAND
TC	TURKS AND CAICOS ISLANDS
TD	CHAD
TF	FRENCH SOUTHERN TERRITORIES
TG	TOGO
TH	THAILAND
TJ	TAJIKISTAN
TK	TOKELAU
TM	TURKMENISTAN
TN	TUNISIA
TO	TONGA
TP	EAST TIMOR
TR	TURKEY
TT	TRINIDAD AND TOBAGO
TV	TUVALU
TW	TAIWAN, PROVINCE OF CHINA
TZ	TANZANIA, UNITED REPUBLIC OF
UA	UKRAINE
UG	UGANDA

Applicable Codes

Applicable codes, sorted by data elements

UM	UNITED STATES MINOR OUTLYING ISLANDS
US	UNITED STATES
UY	URUGUAY
UZ	UZBEKISTAN
VA	HOLY SEE (VATICAN CITY STATE)
VC	SAINT VINCENT AND THE GRENADINES
VE	VENEZUELA
VG	VIRGIN ISLANDS, BRITISH
VI	VIRGIN ISLANDS, U.S.
VN	VIET NAM
VU	VANUATU
WF	WALLIS AND FUTUNA
WS	SAMOA
YE	YEMEN
YT	MAYOTTE
YU	YUGOSLAVIA
ZA	SOUTH AFRICA
ZM	ZAMBIA
ZW	ZIMBABWE

Applicable codes, sorted by data elements

4183 Special condition code

Code	Code name/description
130	Discontinued The item is no longer available.

Applicable codes, sorted by data elements

4347 Product identifier code qualifier

Code	Code name/description
5	Product identification The item number is for product identification.

Applicable codes, sorted by data elements

4403 Instruction type code qualifier

Code	Code name/description
1	Action required Instruction requires action.
2	Party instructions The instructions are to be executed by means of a party.
10E	Return instruction (GS1 Temporary Code) An instruction concerning the return of identified goods.
11E	Action completed (GS1 Temporary Code) Instruction informs action completed.

Applicable codes, sorted by data elements

4503 Inventory balance method code

Code	Code name/description
2	Formal inventory balance An inventory balance in accordance with the formal inventory procedure.

Applicable codes, sorted by data elements

6063 Quantity type code qualifier

Code	Code name/description
145	Actual stock The stock on hand, undamaged, and available for despatch, sale or use.
248	Reserved quantity Quantity reserved for specific purposes.
256	Quantity awaiting delivery Quantity of goods which are awaiting delivery.

Applicable codes, sorted by data elements

6411 Measurement unit code

Code	Code name/description
KGM	kilogram
LTR	litre
MTR	metre
PCE	Piece (GS1 Temporary Code)

Applicable codes, sorted by data elements

7143 Item type identification code

Code	Code name/description
SA	Supplier's article number Number assigned to an article by the supplier of that article.
SRV	GS1 Global Trade Item Number A unique number, up to 14-digits, assigned according to the numbering structure of the GS1 system. 'GS1' stands for the 'Global Standards One'.

No	Tag	Example
01	UNH	UNH+TS000005+INVRPT:D:01B:UN'
02	BGM	BGM+35+INVR123450+4'
03	DTM	DTM+137:20210305:102'
	SG2	
04	NAD	NAD+BY+3830018249996::9++TELEKOM SLOVENIJE, d.d.:X+Cigaletova ulica 15:X+Ljubljana++1000+SI'
	SG3	
05	RFF	RFF+VA:SI98511734'
	SG2	
06	NAD	NAD+SU+3834567000210::9++Dobavitelj d.o.o.:X+Dobaviteljeva ulica 20:X+Nova Gorica++5000+SI'
	SG3	
07	RFF	RFF+VA:SI12345678'
	SG9	
08	LIN	LIN+1++8806000007501:SRV'
09	PIA	PIA+5+ABC5343:SA'
10	IMD	IMD+++:::LED TV GORENJE 50AB0001:X'
11	ALI	ALI+++130'
	SG11	
12	INV	INV++++2'
13	QTY	QTY+145:12:PCE'
14	DTM	DTM+55:20210401:102'
	SG11	
15	INV	INV++++2'
16	QTY	QTY+256:12:PCE'
17	DTM	DTM+67:20210401:102'
	SG11	
18	INV	INV++++2'
19	QTY	QTY+248:12:PCE'
20	DTM	DTM+55:20210401:102'
21	UNT	UNT+21+TS000005'

No = Consecutive segment number