



TelekomSlovenije

Message Implementation Guideline

ORDERS_TELEKOM_SLOVENIJE

based on

ORDERS

Purchase order message

EANCOM® 2002 S4

Version: v0

Variant: 0

Issue date: 11.4.2022

Author: ZZI d.o.o.

Message Structure.....	3
Branching Diagram	4
Segments	7
Applicable Codes	35
Sample Message	67

Message Structure Chart

UNH	1	M	1	- Message header
BGM	2	M	1	- Beginning of message
DTM	3	M	35	- Date/time/period
SG1	C	9999	- RFF-DTM	
RFF	4	M	1	- Reference
DTM	5	C	5	- Date/time/period
SG2	R	99	- NAD-SG3-SG5	
NAD	6	M	1	- Name and address
SG3	R	99	- RFF	
RFF	7	M	1	- Reference
SG5	C	5	- CTA-COM	
CTA	8	M	1	- Contact information
COM	9	C	5	- Communication contact
SG2	R	99	- NAD-SG3	
NAD	10	M	1	- Name and address
SG3	R	99	- RFF	
RFF	11	M	1	- Reference
SG2	C	99	- NAD-SG5	
NAD	12	M	1	- Name and address
SG5	C	5	- CTA-COM	
CTA	13	M	1	- Contact information
COM	14	C	5	- Communication contact
SG7	R	5	- CUX	
CUX	15	M	1	- Currencies
SG28	R	200000	- LIN-PIA-IMD-QTY-DTM-MOA-SG32-SG33	
LIN	16	M	1	- Line item
PIA	17	C	25	- Additional product id
IMD	18	C	99	- Item description
QTY	19	C	99	- Quantity
DTM	20	R	35	- Date/time/period
MOA	21	C	10	- Monetary amount
SG32	C	25	- PRI	
PRI	22	M	1	- Price details
SG33	R	9999	- RFF	
RFF	23	M	1	- Reference
UNS	24	C	1	- Section control

Inventory Report Summary Section

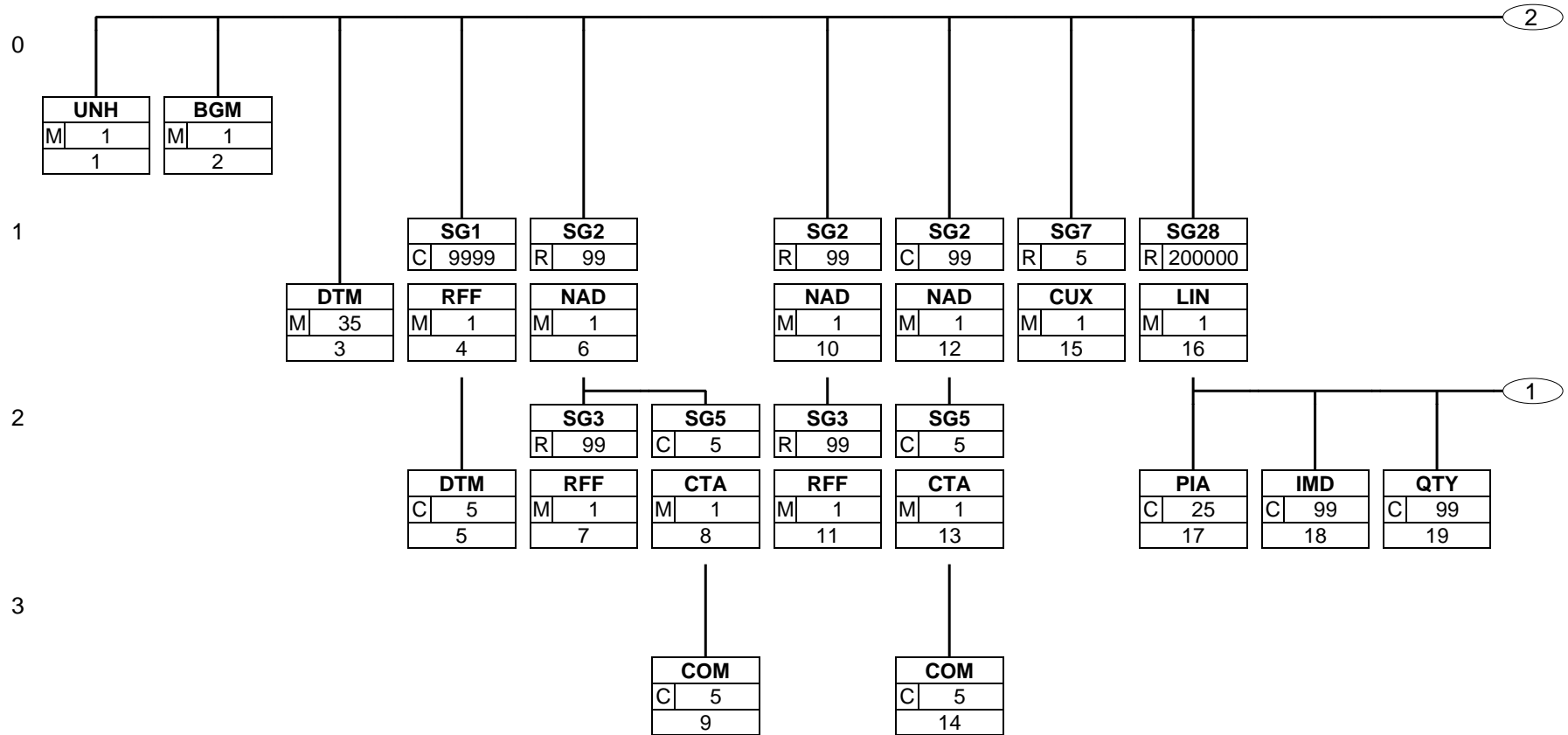
UNT	25	C	1	- Message trailer
-----	----	---	---	-------------------

St = Status

EDIFACT: M=Mandatory, C=Conditional

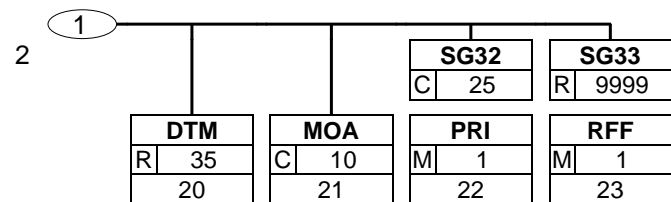
User specific: R=Required, O=Optional, D=Dependent, A=Advised, N=Not used, X=Not used

Branching Diagram



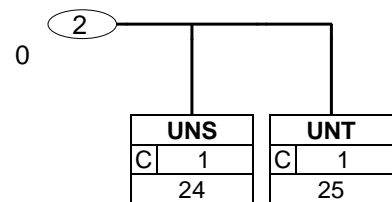
Status: M=Mandatory, C=Conditional, R=Required, O=Optional, D=Dependent, A=Advised, N=Not used, X=Not used

Branching Diagram



Status: M=Mandatory, C=Conditional, R=Required, O=Optional, D=Dependent, A=Advised, N=Not used, X=Not used

Branching Diagram



Status: M=Mandatory, C=Conditional, R=Required, O=Optional, D=Dependent, A=Advised, N=Not used, X=Not used

Segment number: 1

UNH - M 1 - Message header						
Function: To head, identify and specify a message.						
Notes: 1. Data element S009/0057 is retained for upward compatibility. The use of S016 and/or S017 is encouraged in preference. 2. The combination of the values carried in data elements 0062 and S009 shall be used to identify uniquely the message within its group (if used) or if not used, within its interchange, for the purpose of acknowledgement.						
EDIFACT			EAN			
Tag	Name	St/Format	St	*	Usage	Example
0062	Message reference number	M an..14	M		Sender's unique message reference. Sequence number of the messages in the interchange. DE 0062 in the UNT will be exactly the same. Sender generated. Numbers in ascending order without gaps.	TS000001
S009	MESSAGE IDENTIFIER	M	M			
0065	Message type	M an..6	M		ORDER = Purchase order message S	ORDERS
0052	Message version number	M an..3	M		D = Draft version/UN/EDIFACT Directory	D
0054	Message release number	M an..3	M		01B = Release 2001 - B	01B
0051	Controlling agency, coded	M an..3	M		UN = UN/CEFACT	UN
Segment Notes: This segment is used to head, identify and specify a message. Example: UNH+TS000001+ORDERS:D:01B:UN'						

* = Restricted Codes

St = Status
EDIFACT: M=Mandatory, C=Conditional
User specific: R=Required, O=Optional, D=Dependent,
A=Advised, N=Not used, X=Not used

Segment number: 2

BGM - M 1 - Beginning of message						
Function: To indicate the type and function of a message and to transmit the identifying number.						
EDIFACT			EAN			
Tag	Name	St/Format	St	*	Usage	Example
C002	DOCUMENT/MESSAGE NAME	C	R			
1001	Document name code	C an..3	R		220 = Order 227 = Consignment order	220
C106	DOCUMENT/MESSAGE IDENTIFICATION	C	R			
1004	Document identifier	C an..70	R		Order Number assigned by document sender. It is recommended that the length of the document number be restricted to a maximum of 17 characters.	128576
1225	Message function code	C an..3	R		1 = Cancellation 9 = Original	9
Segment Notes: This segment is used to indicate the type and function of a message and to transmit the identifying number. Example: BGM+220+128576+9'						

* = Restricted Codes

St = Status
EDIFACT: M=Mandatory, C=Conditional
User specific: R=Required, O=Optional, D=Dependent,
A=Advised, N=Not used, X=Not used

Segment number: 3

DTM - M 35 - Date/time/period						
Function: To specify date, and/or time, or period.						
EDIFACT			EAN			
Tag	Name	St/Format	St	*	Usage	Example
C507	DATE/TIME/PERIOD	M	M			
2005	Date or time or period function code qualifier	M an..3	M		137 = Document/message date/time Code value 137 is required.	137
2380	Date or time or period value	C an..35	R			2018081310 1850
2379	Date or time or period format code	C an..3	R		204 = CCYYMMDDHHMMSS 102 = CCYYMMDD	204
<p>Segment Notes:</p> <p>This segment is used to specify the date of the Order. DE 2005: Identification of the 'Document/message date/time' (code value 137) is mandatory in an EANCOM message. Example: DTM+137:20180813101850:204'</p>						

* = Restricted Codes

St = Status
 EDIFACT: M=Mandatory, C=Conditional
 User specific: R=Required, O=Optional, D=Dependent,
 A=Advised, N=Not used, X=Not used

Segment number: 4

SG1	- C	9999 - RFF-DTM				
RFF	- M	1 - Reference				
Function: To specify a reference.						
EDIFACT			EAN			
Tag	Name	St/Format	St	*	Usage	Example
C506	REFERENCE	M	M			
1153	Reference code qualifier	M an..4	M		UO = Ultimate customer's order number	UO
1154	Reference identifier	C an..70	R			652744
<p>Segment Notes:</p> <p>This segment is used to specify other references which relate to the transmission, for example, contract numbers, price list numbers, etc. The references given at this point are valid for the whole order unless superseded by references at line level.</p> <p>Example: RFF+UO:652744'</p>						

* = Restricted Codes

St = Status
 EDIFACT: M=Mandatory, C=Conditional
 User specific: R=Required, O=Optional, D=Dependent,
 A=Advised, N=Not used, X=Not used

Segment number: 5

SG1	- C	9999 - RFF-DTM				
DTM	- C	5 - Date/time/period				
Function: To specify date, and/or time, or period.						
EDIFACT			EAN			
Tag	Name	St/Format	St	*	Usage	Example
C507	DATE/TIME/PERIOD	M	M			
2005	Date or time or period function code qualifier	M an..3	M		171 = Reference date/time	171
2380	Date or time or period value	C an..35	R			20210105
2379	Date or time or period format code	C an..3	R		204 = CCYYMMDDHHMMSS 102 = CCYYMMDD	102
Segment Notes: This segment is used to specify dates relating to the references given in the preceding RFF segment. Example: DTM+171:20210105:102'						

* = Restricted Codes

St = Status
EDIFACT: M=Mandatory, C=Conditional
User specific: R=Required, O=Optional, D=Dependent,
A=Advised, N=Not used, X=Not used

Segment number: 6

SG2	- R	99 - NAD-SG3-SG5				
NAD	- M	1 - Name and address				
Function:						
To specify the name/address and their related function, either by C082 only and/or unstructured by C058 or structured by C080 thru 3207.						
EDIFACT			EAN			
Tag	Name	St/Format	St	*	Usage	Example
3035	Party function code qualifier	M an..3	M		BY = Buyer	BY
C082	PARTY IDENTIFICATION DETAILS	C	R		For identification of the party C082 must be used. Exceptions are only allowed for parties without GLN. For parties without GLN usage of SG3 is required.	
3039	Party identifier	M an..70	M		GLN - Format n13	3830018249 996
1131	Code list identification code	C an..17	N		Not used	
3055	Code list responsible agency code	C an..3	R		9 = GS1	9
C058	NAME AND ADDRESS	C	N			
3124	Name and address description	M an..35	N		Not used	
C080	PARTY NAME	C	C			
3036	Party name	M an..70	M			TELEKOM SLOVENIJE , d.d.
3036	Party name	C an..70	C			X
C059	STREET	C	C			
3042	Street and number or post office box identifier	M an..35	M			Cigaletova ulica 15
3042	Street and number or post office box identifier	C an..35	C			X
3164	City name	C an..35	C			Ljubljana
C819	COUNTRY SUB-ENTITY DETAILS	C	N			
3229	Country sub-entity name code	C an..9	N		Not used	
3251	Postal identification code	C an..17	C			1000
3207	Country name code	C an..3	C			SI
Segment Notes:						
This segment is used to identify the trading partners involved in the Order process. Identification of the buyer and						

* = Restricted Codes

St = Status
EDIFACT: M=Mandatory, C=Conditional
User specific: R=Required, O=Optional, D=Dependent,
A=Advised, N=Not used, X=Not used

Segment Details

Segment number: 6

supplier of goods and services is mandatory using DE's 3035 and C082.

Example: NAD+BY+3830018249996::9++TELEKOM SLOVENIJE, d.d.:X+Cigaletova ulica 15:X+Ljubljana++1000+SI'

* = Restricted Codes

St = Status

EDIFACT: M=Mandatory, C=Conditional

User specific: R=Required, O=Optional, D=Dependent,

A=Advised, N=Not used, X=Not used

Segment number: 7

SG2	- R	99 - NAD-SG3-SG5				
SG3	- R	99 - RFF				
RFF	- M	1 - Reference				
Function: To specify a reference.						
EDIFACT			EAN			
Tag	Name	St/Format	St	*	Usage	Example
C506	REFERENCE	M	M			
1153	Reference code qualifier	M an..4	M		VA = VAT registration number	VA
1154	Reference identifier	C an..70	R			SI98511734
<p>Segment Notes:</p> <p>This segment is used to specify reference numbers related to the party specified in the previous NAD segment. For Buyer(BY) and Supplier(SU) usage of VAT registration number(VA) is required. Usage of other codes should be mutually defined among trading partners.</p> <p>Example: RFF+VA:SI98511734'</p>						

* = Restricted Codes

St = Status
 EDIFACT: M=Mandatory, C=Conditional
 User specific: R=Required, O=Optional, D=Dependent,
 A=Advised, N=Not used, X=Not used

Segment number: 8

SG2	- R	99 - NAD-SG3-SG5				
SG5	- C	5 - CTA-COM				
CTA	- M	1 - Contact information				
Function:						
To identify a person or a department to whom communication should be directed.						
EDIFACT			EAN			
Tag	Name	St/Format	St	*	Usage	Example
3139	Contact function code	C an..3	R		OC = Order contact	OC
C056	DEPARTMENT OR EMPLOYEE DETAILS	C	C			
3413	Department or employee name code	C an..17	N		Not used	
3412	Department or employee name	C an..256	C			Ana Novak
Segment Notes:						
Example: CTA+OC+:Ana Novak'						

* = Restricted Codes

St = Status
EDIFACT: M=Mandatory, C=Conditional
User specific: R=Required, O=Optional, D=Dependent,
A=Advised, N=Not used, X=Not used

Segment number: 9

SG2	- R	99 - NAD-SG3-SG5				
SG5	- C	5 - CTA-COM				
COM	- C	5 - Communication contact				
Function:						
To identify a communication number of a department or a person to whom communication should be directed.						
EDIFACT			EAN			
Tag	Name	St/Format	St	*	Usage	Example
C076	COMMUNICATION CONTACT	M	M			
3148	Communication address identifier	M an..512	M			ana. novak@tele kom.si
3155	Communication address code qualifier	M an..4	M		EM = Electronic mail TE = Telephone	EM
Segment Notes:						
This segment identifies the communications number, and type of communications, for the person or department identified in the preceding CTA segment.						
Example: COM+ana.novak@telekom.si:EM'						

* = Restricted Codes

St = Status
EDIFACT: M=Mandatory, C=Conditional
User specific: R=Required, O=Optional, D=Dependent,
A=Advised, N=Not used, X=Not used

Segment number: 10

SG2	- R	99 - NAD-SG3				
NAD	- M	1 - Name and address				
Function:						
To specify the name/address and their related function, either by C082 only and/or unstructured by C058 or structured by C080 thru 3207.						
EDIFACT			EAN			
Tag	Name	St/Format	St	*	Usage	Example
3035	Party function code qualifier	M an..3	M		SU = Supplier	SU
C082	PARTY IDENTIFICATION DETAILS	C	R		For identification of the party C082 must be used. Exceptions are only allowed for parties without GLN. For parties without GLN usage of SG3 is required.	
3039	Party identifier	M an..70	M		GLN - Format n13	3834567000 210
1131	Code list identification code	C an..17	N		Not used	
3055	Code list responsible agency code	C an..3	R		9 = GS1	9
C058	NAME AND ADDRESS	C	N			
3124	Name and address description	M an..35	N		Not used	
C080	PARTY NAME	C	C			
3036	Party name	M an..70	M			Dobavitelj d.o.o.
3036	Party name	C an..70	C			X
C059	STREET	C	C			
3042	Street and number or post office box identifier	M an..35	M			Dobaviteljev a ulica 20
3042	Street and number or post office box identifier	C an..35	C			X
3164	City name	C an..35	C			Nova Gorica
C819	COUNTRY SUB-ENTITY DETAILS	C	N			
3229	Country sub-entity name code	C an..9	N		Not used	
3251	Postal identification code	C an..17	C			5000
3207	Country name code	C an..3	C			SI
Segment Notes:						
This segment is used to identify the trading partners involved in the Order process. Identification of the buyer and supplier of goods and services is mandatory using DE's 3035 and C082.						

* = Restricted Codes

St = Status
EDIFACT: M=Mandatory, C=Conditional
User specific: R=Required, O=Optional, D=Dependent,
A=Advised, N=Not used, X=Not used

Segment Details

Segment number: 10

Example: NAD+SU+3834567000210::9++Dobavitelj d.o.o.:X+Dobaviteljeva ulica 20:X+Nova Gorica++5000+SI'

* = Restricted Codes

St = Status

EDIFACT: M=Mandatory, C=Conditional

User specific: R=Required, O=Optional, D=Dependent,

A=Advised, N=Not used, X=Not used

Segment number: 11

SG2	- R	99 - NAD-SG3				
SG3	- R	99 - RFF				
RFF	- M	1 - Reference				
Function: To specify a reference.						
EDIFACT			EAN			
Tag	Name	St/Format	St	*	Usage	Example
C506	REFERENCE	M	M			
1153	Reference code qualifier	M an..4	M		VA = VAT registration number	VA
1154	Reference identifier	C an..70	R			SI12345678
<p>Segment Notes:</p> <p>This segment is used to specify reference numbers related to the party specified in the previous NAD segment. For Buyer(BY) and Supplier(SU) usage of VAT registration number(VA) is required. Usage of other codes should be mutually defined among trading partners.</p> <p>Example: RFF+VA:SI12345678'</p>						

* = Restricted Codes

St = Status
 EDIFACT: M=Mandatory, C=Conditional
 User specific: R=Required, O=Optional, D=Dependent,
 A=Advised, N=Not used, X=Not used

Segment number: 12

SG2	- C	99 - NAD-SG5				
NAD	- M	1 - Name and address				
Function:						
To specify the name/address and their related function, either by C082 only and/or unstructured by C058 or structured by C080 thru 3207.						
EDIFACT			EAN			
Tag	Name	St/Format	St	*	Usage	Example
3035	Party function code qualifier	M an..3	M		DP = Delivery party	DP
C082	PARTY IDENTIFICATION DETAILS	C	R		For identification of the party C082 must be used. Exceptions are only allowed for parties without GLN. For parties without GLN usage of SG3 is required.	
3039	Party identifier	M an..70	M		GLN - Format n13	3830018249 965
1131	Code list identification code	C an..17	N		Not used	
3055	Code list responsible agency code	C an..3	R		9 = GS1	9
C058	NAME AND ADDRESS	C	N			
3124	Name and address description	M an..35	N		Not used	
C080	PARTY NAME	C	C			
3036	Party name	M an..70	M			Telekom Slovenije, d.d., Centralno skladišče
3036	Party name	C an..70	C			X
C059	STREET	C	C			
3042	Street and number or post office box identifier	M an..35	M			Litostrojska cesta 58 b
3042	Street and number or post office box identifier	C an..35	C			X
3164	City name	C an..35	C			Ljubljana
C819	COUNTRY SUB-ENTITY DETAILS	C	N			
3229	Country sub-entity name code	C an..9	N		Not used	
3251	Postal identification code	C an..17	C			1000
3207	Country name code	C an..3	C			SI
Segment Notes:						

* = Restricted Codes

St = Status
EDIFACT: M=Mandatory, C=Conditional
User specific: R=Required, O=Optional, D=Dependent,
A=Advised, N=Not used, X=Not used

Segment Details

Segment number: 12

This segment is used to identify the trading partners involved in the Order process. Identification of the buyer and supplier of goods and services is mandatory using DE's 3035 and C082.

NATURAL PERSONS:

For natural persons C082 - 3039 = 999999999

For natural persons Party name, Street, City name, Postal identification code and Country name code are mandatory.

Example: NAD+DP+3830018249965::9++Telekom Slovenije, d.d., Centralno skladišče:X+Litostrojska cesta
58 b:X+Ljubljana++1000+SI'

* = Restricted Codes

St = Status

EDIFACT: M=Mandatory, C=Conditional

User specific: R=Required, O=Optional, D=Dependent,

A=Advised, N=Not used, X=Not used

Segment number: 13

SG2	- C	99 - NAD-SG5
SG5	- C	5 - CTA-COM
CTA	- M	1 - Contact information

Function:
To identify a person or a department to whom communication should be directed.

EDIFACT			EAN			
Tag	Name	St/Format	St	*	Usage	Example
3139	Contact function code	C an..3	R		OC = Order contact	OC
C056	DEPARTMENT OR EMPLOYEE DETAILS	C	C			
3413	Department or employee name code	C an..17	N		Not used	
3412	Department or employee name	C an..256	C			TS Centralno skladišče Litostrojska

Segment Notes:
This segment is used to identify contact details for the party specified in the previous NAD segment. The GLN - Format n13 - is particularly suitable for this purpose.
Example: CTA+OC+:TS Centralno skladišče Litostrojska'

* = Restricted Codes

St = Status
EDIFACT: M=Mandatory, C=Conditional
User specific: R=Required, O=Optional, D=Dependent,
A=Advised, N=Not used, X=Not used

Segment Details

Segment number: 14

SG2	- C	99 - NAD-SG5				
SG5	- C	5 - CTA-COM				
COM	- C	5 - Communication contact				
<p>Function: To identify a communication number of a department or a person to whom communication should be directed.</p>						
EDIFACT			EAN			
Tag	Name	St/Format	St	*	Usage	Example
C076	COMMUNICATION CONTACT	M	M			
3148	Communication address identifier	M an..512	M			01 472 8219
3155	Communication address code qualifier	M an..4	M		EM = Electronic mail TE = Telephone	TE
<p>Segment Notes: This segment identifies the communications number, and type of communications, for the person or department identified in the preceding CTA segment. Example: COM+01 472 8219:TE'</p>						

* = Restricted Codes

St = Status
EDIFACT: M=Mandatory, C=Conditional
User specific: R=Required, O=Optional, D=Dependent,
A=Advised, N=Not used, X=Not used

Segment number: 15

SG7	- R	5 - CUX				
CUX	- M	1 - Currencies				
Function: To specify currencies used in the transaction and relevant details for the rate of exchange.						
EDIFACT			EAN			
Tag	Name	St/Format	St	*	Usage	Example
C504	CURRENCY DETAILS	C	R			
6347	Currency usage code qualifier	M an..3	R		2 = Reference currency	2
6345	Currency identification code	C an..3	R		EUR = Euro ISO 4217 three alpha.	EUR
Segment Notes: This segment is used to specify currency information for the complete order. The CUX segment is mandatory for international exchanges. Example: CUX+2:EUR'						

* = Restricted Codes

St = Status
EDIFACT: M=Mandatory, C=Conditional
User specific: R=Required, O=Optional, D=Dependent,
A=Advised, N=Not used, X=Not used

Segment number: 16

SG28 - R 200000 - LIN-PIA-IMD-QTY-DTM-MOA-SG32-SG33						
LIN - M 1 - Line item						
Function: To identify a line item and configuration.						
EDIFACT			EAN			
Tag	Name	St/Format	St	*	Usage	Example
1082	Line item identifier	C an..6	R		Application generated number of the count of the order lines.	1
1229	Action request/notification description code	C an..3	N		Not used	
C212	ITEM NUMBER IDENTIFICATION	C	C			
7140	Item identifier	C an..35	R		Format n..14 GTIN - this is the number of the article being ordered. If GTIN is not used then C212 is not used.	8806000007501
7143	Item type identification code	C an..4	R		SRV = GS1 Global Trade Item Number	SRV
Segment Notes: This segment is used to identify the item being ordered. Example: LIN+1++8806000007501:SRV'						

* = Restricted Codes

St = Status
EDIFACT: M=Mandatory, C=Conditional
User specific: R=Required, O=Optional, D=Dependent,
A=Advised, N=Not used, X=Not used

Segment number: 17

SG28 - R 200000 - LIN-PIA-IMD-QTY-DTM-MOA-SG32-SG33						
PIA - C 25 - Additional product id						
Function: To specify additional or substitutional item identification codes.						
EDIFACT			EAN			
Tag	Name	St/Format	St	*	Usage	Example
4347	Product identifier code qualifier	M an..3	M		5 = Product identification	5
C212	ITEM NUMBER IDENTIFICATION	M	M			
7140	Item identifier	C an..35	R			5330051
7143	Item type identification code	C an..4	R		SA = Supplier's article number	SA
Segment Notes: This segment is used to specify additional item identification codes such as a buyer's, or seller's item number. Example: PIA+5+5330051:SA'						

* = Restricted Codes

St = Status
EDIFACT: M=Mandatory, C=Conditional
User specific: R=Required, O=Optional, D=Dependent,
A=Advised, N=Not used, X=Not used

Segment number: 18

SG28	- R	200000 - LIN-PIA-IMD-QTY-DTM-MOA-SG32-SG33				
IMD	- C	99 - Item description				
Function: To describe an item in either an industry or free format.						
EDIFACT			EAN			
Tag	Name	St/Format	St	*	Usage	Example
7077	Description format code	C an..3	R		F = Free-form	F
C272	ITEM CHARACTERISTIC	C	N			
7081	Item characteristic code	C an..3	N		Not used	
C273	ITEM DESCRIPTION	C	C			
7009	Item description code	C an..17	N		Not used	
1131	Code list identification code	C an..17	N		Not used	
3055	Code list responsible agency code	C an..3	C		9 = GS1	9
7008	Item description	C an..256	R			LED TV GORENJE 50AB0001
7008	Item description	C an..256	C			X
Segment Notes: Example: IMD+F++::9:LED TV GORENJE 50AB0001:X'						

* = Restricted Codes

St = Status
EDIFACT: M=Mandatory, C=Conditional
User specific: R=Required, O=Optional, D=Dependent,
A=Advised, N=Not used, X=Not used

Segment number: 19

SG28 - R 200000 - LIN-PIA-IMD-QTY-DTM-MOA-SG32-SG33						
QTY - C 99 - Quantity						
Function: To specify a pertinent quantity.						
EDIFACT			EAN			
Tag	Name	St/Format	St	*	Usage	Example
C186	QUANTITY DETAILS	M	M			
6063	Quantity type code qualifier	M an..3	M		21 = Ordered quantity	21
6060	Quantity	M an..35	M			2
6411	Measurement unit code	C an..8	D		KGM = kilogram LTR = litre MTR = metre PCE = Piece (GS1 Temporary Code) Measurement unit code (See EANCOM DE 6411 Codes Set)	PCE
Segment Notes: This segment is used to specify the total quantity ordered for the current line identified in the LIN segment. Example: QTY+21:2:PCE'						

* = Restricted Codes

St = Status
 EDIFACT: M=Mandatory, C=Conditional
 User specific: R=Required, O=Optional, D=Dependent,
 A=Advised, N=Not used, X=Not used

Segment number: 20

SG28 - R 200000 - LIN-PIA-IMD-QTY-DTM-MOA-SG32-SG33						
DTM - R 35 - Date/time/period						
Function: To specify date, and/or time, or period.						
EDIFACT			EAN			
Tag	Name	St/Format	St	*	Usage	Example
C507	DATE/TIME/PERIOD	M	M			
2005	Date or time or period function code qualifier	M an..3	M		2 = Delivery date/time, requested	2
2380	Date or time or period value	C an..35	R			20210415
2379	Date or time or period format code	C an..3	R		102 = CCYYMMDD 204 = CCYYMMDDHHMMSS	102
<p>Segment Notes:</p> <p>This segment is used to specify the date of the Order and, where required, requested dates concerning the delivery of the goods.</p> <p>Example: DTM+2:20210415:102'</p>						

* = Restricted Codes

St = Status
 EDIFACT: M=Mandatory, C=Conditional
 User specific: R=Required, O=Optional, D=Dependent,
 A=Advised, N=Not used, X=Not used

Segment number: 21

SG28 - R 200000 - LIN-PIA-IMD-QTY-DTM-MOA-SG32-SG33						
MOA - C 10 - Monetary amount						
Function: To specify a monetary amount.						
EDIFACT			EAN			
Tag	Name	St/Format	St	*	Usage	Example
C516	MONETARY AMOUNT	M	M			
5025	Monetary amount type code qualifier	M an..3	M		203 = Line item amount	203
5004	Monetary amount	C n..35	R			1700.00
Segment Notes: This segment is used to specify line item monetary amount. For specific purposes usage of this segment should be mutually defined among trading partners. Example: MOA+203:1700.00'						

* = Restricted Codes

St = Status
EDIFACT: M=Mandatory, C=Conditional
User specific: R=Required, O=Optional, D=Dependent,
A=Advised, N=Not used, X=Not used

Segment number: 22

SG28	- R	200000	- LIN-PIA-IMD-QTY-DTM-MOA-SG32-SG33		
SG32	- C	25	- PRI		
PRI	- M	1	- Price details		
Function: To specify price information.					
EDIFACT			EAN		
Tag	Name	St/Format	St	* Usage	Example
C509	PRICE INFORMATION	C	R		
5125	Price code qualifier	M an..3	M	AAA = Calculation net AAB = Calculation gross	AAA
5118	Price amount	C n..15	R		850.00
5375	Price type code	C an..3	N	Not used	
5387	Price specification code	C an..3	C	INV = Invoice price	INV
5284	Unit price basis value	C n..9	C		1
6411	Measurement unit code	C an..8	C	PCE = Piece (GS1 Temporary Code) open codelist 6411	PCE
<p>Segment Notes:</p> <p>This segment is used to detail the price for the current product identified in the LIN segment. The calculation price detailed in the Purchase Order will always be the Net Unit Price, i.e., Gross Price + Charges - Allowances. Data elements 5284 and 6411 are used when a product is a variable quantity product, e.g. price per 200 kilos, or when the unit of measure for purchasing, delivery, and invoicing are different for a product, e.g. sugar is not a variable quantity product but ordered and delivered in packs, and invoiced in kilos or tonnes. Example: PRI+AAA:850.00::INV:1:PCE'</p>					

* = Restricted Codes

St = Status
EDIFACT: M=Mandatory, C=Conditional
User specific: R=Required, O=Optional, D=Dependent,
A=Advised, N=Not used, X=Not used

Segment number: 23

SG28	- R	200000 - LIN-PIA-IMD-QTY-DTM-MOA-SG32-SG33				
SG33	- R	9999 - RFF				
RFF	- M	1 - Reference				
Function: To specify a reference.						
EDIFACT			EAN			
Tag	Name	St/Format	St	*	Usage	Example
C506	REFERENCE	M	M			
1153	Reference code qualifier	M an..4	M		CT = Contract number	CT
1154	Reference identifier	C an..70	R			132001
1156	Document line identifier	C an..6	R			1
<p>Segment Notes:</p> <p>This segment is used to identify references associated with the line item. This information may override what is specified in the heading section when the same qualifier is used. This segment may also be used to allocate a unique reference number to this line item in this order.</p> <p>Example: RFF+CT:132001:1'</p>						

* = Restricted Codes

St = Status
 EDIFACT: M=Mandatory, C=Conditional
 User specific: R=Required, O=Optional, D=Dependent,
 A=Advised, N=Not used, X=Not used

Segment number: 24

UNS - C 1 - Section control						
Function: To separate header, detail and summary sections of a message.						
Notes: To be used by message designers only when required to avoid ambiguities.						
EDIFACT			EAN			
Tag	Name	St/Format	St	*	Usage	Example
0081	Section identification	M a1	M			D
Segment Notes: Example: UNS+D'						

* = Restricted Codes

St = Status
EDIFACT: M=Mandatory, C=Conditional
User specific: R=Required, O=Optional, D=Dependent,
A=Advised, N=Not used, X=Not used

Segment number: 25

UNT - C 1 - Message trailer						
Function: To end and check the completeness of a message.						
Notes: 1. 0062, the value shall be identical to the value in 0062 in the corresponding UNH segment.						
EDIFACT			EAN			
Tag	Name	St/Format	St	*	Usage	Example
0074	Number of segments in a message	M n..10	M		The total number of segments in the message is detailed here.	25
0062	Message reference number	M an..14	M		The message reference numbered detailed here should equal the one specified in the UNH segment.	TS000001
Segment Notes: The UNT segment is a mandatory UN/EDIFACT segment. It must always be the last segment in the message. Example: UNT+25+TS000001'						

* = Restricted Codes

St = Status
EDIFACT: M=Mandatory, C=Conditional
User specific: R=Required, O=Optional, D=Dependent,
A=Advised, N=Not used, X=Not used

Applicable Codes

Applicable codes, sorted by data elements

0051 Controlling agency, coded

Code	Code name/description
UN	UN/CEFACT United Nations Centre for Trade Facilitation and Electronic Business (UN/CEFACT).

Applicable Codes

Applicable codes, sorted by data elements

0052 Message version number

Code	Code name/description
D	Draft version/UN/EDIFACT Directory Message approved and issued as a draft message (Valid for directories published after March 1993 and prior to March 1997). Message approved as a standard message (Valid for directories published after March 1997).

Applicable Codes

Applicable codes, sorted by data elements

0054 Message release number

Code	Code name/description
01B	Release 2001 - B Message approved and issued in the second 2001 release of the UNTDID (United Nations Trade Data Interchange Directory).

Applicable codes, sorted by data elements

0065 Message type

Code	Code name/description
ORDERS	Purchase order message A code to identify the purchase order message.

Applicable Codes

Applicable codes, sorted by data elements

0081 Section identification

Code	Code name/description
D	Header/detail section separation To qualify the segment UNS, when separating the header from the detail section of a message.
S	Detail/summary section separation To qualify the segment UNS, when separating the detail from the summary section of a message.

Applicable Codes

Applicable codes, sorted by data elements

1001 Document name code

Code	Code name/description
220	Order Document/message by means of which a buyer initiates a transaction with a seller involving the supply of goods or services as specified, according to conditions set out in an offer, or otherwise known to the buyer.
227	Consignment order Order to deliver goods into stock with agreement on payment when goods are sold out of this stock.

Applicable Codes

Applicable codes, sorted by data elements

1153 Reference code qualifier

Code	Code name/description
CT	Contract number Reference number of a contract concluded between parties.
UO	Ultimate customer's order number The originator's order number as forwarded in a sequence of parties involved.
VA	VAT registration number Unique number assigned by the relevant tax authority to identify a party for use in relation to Value Added Tax (VAT).

Applicable Codes

Applicable codes, sorted by data elements

1225 Message function code

Code	Code name/description
1	Cancellation Message cancelling a previous transmission for a given transaction.
9	Original Initial transmission related to a given transaction.

Applicable Codes

Applicable codes, sorted by data elements

2005 Date or time or period function code qualifier

Code	Code name/description
2	Delivery date/time, requested Date on which buyer requests goods to be delivered.
137	Document/message date/time (2006) Date/time when a document/message is issued. This may include authentication.
171	Reference date/time Date/time on which the reference was issued.

Applicable Codes

Applicable codes, sorted by data elements

2379 Date or time or period format code

Code	Code name/description
102	CCYYMMDD Calendar date: C = Century ; Y = Year ; M = Month ; D = Day.
204	CCYYMMDDHHMMSS Calendar date including time with seconds: C=Century;Y=Year; M=Month;D=Day;H=Hour; M=Minute;S=Second.

Applicable Codes

Applicable codes, sorted by data elements

3035 Party function code qualifier

Code	Code name/description
BY	Buyer Party to whom merchandise and/or service is sold.
DP	Delivery party (3144) Party to which goods should be delivered, if not identical with consignee.
SU	Supplier Party who supplies goods and/or services.

Applicable Codes

Applicable codes, sorted by data elements

3055 Code list responsible agency code

Code	Code name/description
9	GS1 GS1 (formerly EAN International), an organisation of GS1 Member Organisations, which manages the GS1 System.

Applicable Codes

Applicable codes, sorted by data elements

3139 Contact function code

Code	Code name/description
OC	Order contact An individual to contact for questions regarding this order.

Applicable Codes

Applicable codes, sorted by data elements

3155 Communication address code qualifier

Code	Code name/description
EM	Electronic mail Exchange of mail by electronic means.
TE	Telephone Voice/data transmission by telephone.

Applicable Codes

Applicable codes, sorted by data elements

3207 Country name code

Code	Code name/description
AD	ANDORRA
AE	UNITED ARAB EMIRATES
AF	AFGHANISTAN
AG	ANTIGUA AND BARBUDA
AI	ANGUILLA
AL	ALBANIA
AM	ARMENIA
AN	NETHERLANDS ANTILLES
AO	ANGOLA
AQ	ANTARCTICA
AR	ARGENTINA
AS	AMERICAN SAMOA
AT	AUSTRIA
AU	AUSTRALIA
AW	ARUBA
AZ	AZERBAIJAN
BA	BOSNIA AND HERZEGOVINA
BB	BARBADOS
BD	BANGLADESH
BE	BELGIUM
BF	BURKINA FASO
BG	BULGARIA
BH	BAHRAIN
BI	BURUNDI
BJ	BENIN
BM	BERMUDA
BN	BRUNEI DARUSSALAM
BO	BOLIVIA
BR	BRAZIL

Applicable Codes

Applicable codes, sorted by data elements

BS	BAHAMAS
BT	BHUTAN
BV	BOUVET ISLAND
BW	BOTSWANA
BY	BELARUS
BZ	BELIZE
CA	CANADA
CC	COCOS (KEELING) ISLANDS
CD	CONGO, THE DEMOCRATIC REPUBLIC OF THE
CF	CENTRAL AFRICAN REPUBLIC
CG	CONGO
CH	SWITZERLAND
CI	COTE D'IVOIRE
CK	COOK ISLANDS
CL	CHILE
CM	CAMEROON
CN	CHINA
CO	COLOMBIA
CR	COSTA RICA
CU	CUBA
CV	CAPE VERDE
CX	CHRISTMAS ISLAND
CY	CYPRUS
CZ	CZECH REPUBLIC
DE	GERMANY
DJ	DJIBOUTI
DK	DENMARK
DM	DOMINICA
DO	DOMINICAN REPUBLIC
DZ	ALGERIA
EC	ECUADOR
EE	ESTONIA

Applicable Codes

Applicable codes, sorted by data elements

EG	EGYPT
EH	WESTERN SAHARA
ER	ERITREA
ES	SPAIN
ET	ETHIOPIA
FI	FINLAND
FJ	FIJI
FK	FALKLAND ISLANDS (MALVINAS)
FM	MICRONESIA, FEDERATED STATES OF
FO	FAROE ISLANDS
FR	FRANCE
GA	GABON
GB	UNITED KINGDOM
GD	GRENADA
GE	GEORGIA
GF	FRENCH GUIANA
GH	GHANA
GI	GIBRALTAR
GL	GREENLAND
GM	GAMBIA
GN	GUINEA
GP	GUADELOUPE
GQ	EQUATORIAL GUINEA
GR	GREECE
GS	SOUTH GEORGIA AND THE SOUTH SANDWICH ISLANDS
GT	GUATEMALA
GU	GUAM
GW	GUINEA-BISSAU
GY	GUYANA
HK	HONG KONG
HM	HEARD ISLAND AND MCDONALD ISLANDS
HN	HONDURAS

Applicable Codes

Applicable codes, sorted by data elements

HR	CROATIA
HT	HAITI
HU	HUNGARY
ID	INDONESIA
IE	IRELAND
IL	ISRAEL
IN	INDIA
IO	BRITISH INDIAN OCEAN TERRITORY
IQ	IRAQ
IR	IRAN, ISLAMIC REPUBLIC OF
IS	ICELAND
IT	ITALY
JM	JAMAICA
JO	JORDAN
JP	JAPAN
KE	KENYA
KG	KYRGYZSTAN
KH	CAMBODIA
KI	KIRIBATI
KM	COMOROS
KN	SAINT KITTS AND NEVIS
KP	KOREA, DEMOCRATIC PEOPLE'S REPUBLIC OF
KR	KOREA, REPUBLIC OF
KW	KUWAIT
KY	CAYMAN ISLANDS
KZ	KAZAKSTAN
LA	LAO PEOPLE'S DEMOCRATIC REPUBLIC
LB	LEBANON
LC	SAINT LUCIA
LI	LIECHTENSTEIN
LK	SRI LANKA
LR	LIBERIA

Applicable Codes

Applicable codes, sorted by data elements

LS	LESOTHO
LT	LITHUANIA
LU	LUXEMBOURG
LV	LATVIA
LY	LIBYAN ARAB JAMAHIRIYA
MA	MOROCCO
MC	MONACO
MD	MOLDOVA, REPUBLIC OF
MG	MADAGASCAR
MH	MARSHALL ISLANDS
MK	MACEDONIA, THE FORMER YUGOSLAV REPUBLIC OF
ML	MALI
MM	MYANMAR
MN	MONGOLIA
MO	MACAU
MP	NORTHERN MARIANA ISLANDS
MQ	MARTINIQUE
MR	MAURITANIA
MS	MONTSERRAT
MT	MALTA
MU	MAURITIUS
MV	MALDIVES
MW	MALAWI
MX	MEXICO
MY	MALAYSIA
MZ	MOZAMBIQUE
NA	NAMIBIA
NC	NEW CALEDONIA
NE	NIGER
NF	NORFOLK ISLAND
NG	NIGERIA
NI	NICARAGUA

Applicable Codes

Applicable codes, sorted by data elements

NL	NETHERLANDS
NO	NORWAY
NP	NEPAL
NR	NAURU
NU	NIUE
NZ	NEW ZEALAND
OM	OMAN
PA	PANAMA
PE	PERU
PF	FRENCH POLYNESIA
PG	PAPUA NEW GUINEA
PH	PHILIPPINES
PK	PAKISTAN
PL	POLAND
PM	SAINT PIERRE AND MIQUELON
PN	PITCAIRN
PR	PUERTO RICO
PS	PALESTINIAN TERRITORY, OCCUPIED
PT	PORTUGAL
PW	PALAU
PY	PARAGUAY
QA	QATAR
RE	REUNION
RO	ROMANIA
RS	SERBIA
RU	RUSSIAN FEDERATION
RW	RWANDA
SA	SAUDI ARABIA
SB	SOLOMON ISLANDS
SC	SEYCHELLES
SD	SUDAN
SE	SWEDEN

Applicable Codes

Applicable codes, sorted by data elements

SG	SINGAPORE
SH	SAINT HELENA
SI	SLOVENIA
SJ	SVALBARD AND JAN MAYEN
SK	SLOVAKIA
SL	SIERRA LEONE
SM	SAN MARINO
SN	SENEGAL
SO	SOMALIA
SR	SURINAME
ST	SAO TOME AND PRINCIPE
SV	EL SALVADOR
SY	SYRIAN ARAB REPUBLIC
SZ	SWAZILAND
TC	TURKS AND CAICOS ISLANDS
TD	CHAD
TF	FRENCH SOUTHERN TERRITORIES
TG	TOGO
TH	THAILAND
TJ	TAJIKISTAN
TK	TOKELAU
TM	TURKMENISTAN
TN	TUNISIA
TO	TONGA
TP	EAST TIMOR
TR	TURKEY
TT	TRINIDAD AND TOBAGO
TV	TUVALU
TW	TAIWAN, PROVINCE OF CHINA
TZ	TANZANIA, UNITED REPUBLIC OF
UA	UKRAINE
UG	UGANDA

Applicable Codes

Applicable codes, sorted by data elements

UM	UNITED STATES MINOR OUTLYING ISLANDS
US	UNITED STATES
UY	URUGUAY
UZ	UZBEKISTAN
VA	HOLY SEE (VATICAN CITY STATE)
VC	SAINT VINCENT AND THE GRENADINES
VE	VENEZUELA
VG	VIRGIN ISLANDS, BRITISH
VI	VIRGIN ISLANDS, U.S.
VN	VIET NAM
VU	VANUATU
WF	WALLIS AND FUTUNA
WS	SAMOA
YE	YEMEN
YT	MAYOTTE
YU	YUGOSLAVIA
ZA	SOUTH AFRICA
ZM	ZAMBIA
ZW	ZIMBABWE

Applicable Codes

Applicable codes, sorted by data elements

4347 Product identifier code qualifier

Code	Code name/description
5	Product identification The item number is for product identification.

Applicable Codes

Applicable codes, sorted by data elements

5025 Monetary amount type code qualifier

Code	Code name/description
203	Line item amount Goods item total minus allowances plus charges for line item. See also Code 66.

Applicable Codes

Applicable codes, sorted by data elements

5125 Price code qualifier

Code	Code name/description
AAA	Calculation net The price stated is the net price including allowances/ charges. Allowances/charges may be stated for information only.
AAB	Calculation gross The price stated is the gross price to which allowances/charges, if valid, must be applied.

Applicable Codes

Applicable codes, sorted by data elements

5387 Price specification code

Code	Code name/description
INV	Invoice price Price per unit of quantity of a product as specified on an invoice.

Applicable Codes

Applicable codes, sorted by data elements

6063 Quantity type code qualifier

Code	Code name/description
21	Ordered quantity The quantity which has been ordered.

Applicable Codes

Applicable codes, sorted by data elements

6345 Currency identification code

Code	Code name/description
EUR	Euro

Applicable Codes

Applicable codes, sorted by data elements

6347 Currency usage code qualifier

Code	Code name/description
1	Charge payment currency The currency in which charges are to be paid.
2	Reference currency The currency applicable to amounts stated. It may have to be converted.
3	Target currency The currency which should be used to the target destination of the transaction.

Applicable Codes

Applicable codes, sorted by data elements

6411 Measurement unit code

Code	Code name/description
KGM	kilogram
LTR	litre
MTR	metre
PCE	Piece (GS1 Temporary Code)

Applicable Codes

Applicable codes, sorted by data elements

7077 Description format code

Code	Code name/description
F	Free-form Description of an item in free form text.

Applicable Codes

Applicable codes, sorted by data elements

7143 Item type identification code

Code	Code name/description
SA	Supplier's article number Number assigned to an article by the supplier of that article.
SRV	GS1 Global Trade Item Number A unique number, up to 14-digits, assigned according to the numbering structure of the GS1 system. 'GS1' stands for the 'Global Standards One'.

No	Tag	Example
01	UNH	UNH+TS000001+ORDERS:D:01B:UN'
02	BGM	BGM+220+128576+9'
03	DTM	DTM+137:20180813101850:204'
	SG1	
04	RFF	RFF+UO:652744'
05	DTM	DTM+171:20210105:102'
	SG2	
06	NAD	NAD+BY+3830018249996::9++TELEKOM SLOVENIJE, d.d.:X+Cigaletova ulica 15:X+Ljubljana++1000+SI'
	SG3	
07	RFF	RFF+VA:SI98511734'
	SG5	
08	CTA	CTA+OC+:Ana Novak'
09	COM	COM+ana.novak@telekom.si:EM'
	SG2	
10	NAD	NAD+SU+3834567000210::9++Dobavitelj d.o.o.:X+Dobaviteljeva ulica 20:X+Nova Gorica++5000+SI'
	SG3	
11	RFF	RFF+VA:SI12345678'
	SG2	
12	NAD	NAD+DP+3830018249965::9++Telekom Slovenije, d.d., Centralno skladišče:X+Litostrojska cesta 58 b:X+Ljubljana++1000+SI'
	SG5	
13	CTA	CTA+OC+:TS Centralno skladišče Litostrojska'
14	COM	COM+01 472 8219:TE'
	SG7	
15	CUX	CUX+2:EUR'
	SG28	
16	LIN	LIN+1++8806000007501:SRV'
17	PIA	PIA+5+5330051:SA'
18	IMD	IMD+F++:9:LED TV GORENJE 50AB0001:X'
19	QTY	QTY+21:2:PCE'
20	DTM	DTM+2:20210415:102'
21	MOA	MOA+203:1700.00'
	SG32	
22	PRI	PRI+AAA:850.00::INV:1:PCE'
	SG33	
23	RFF	RFF+CT:132001:1'
24	UNS	UNS+D'
25	UNT	UNT+25+TS000001'

No = Consecutive segment number