



Message Implementation Guideline

## **ORDRSP\_TELEKOM\_SLOVENIJE**

based on

### **ORDRSP**

Purchase order response message

**EANCOM® 2002 S4**

Version: v0  
Variant: 2  
Issue date: 3.6.2022  
Author: ZZI d.o.o.

---

Message Structure.....	3
Branching Diagram .....	4
Segments .....	7
Applicable Codes .....	32
Sample Message .....	63

# Message Structure Chart

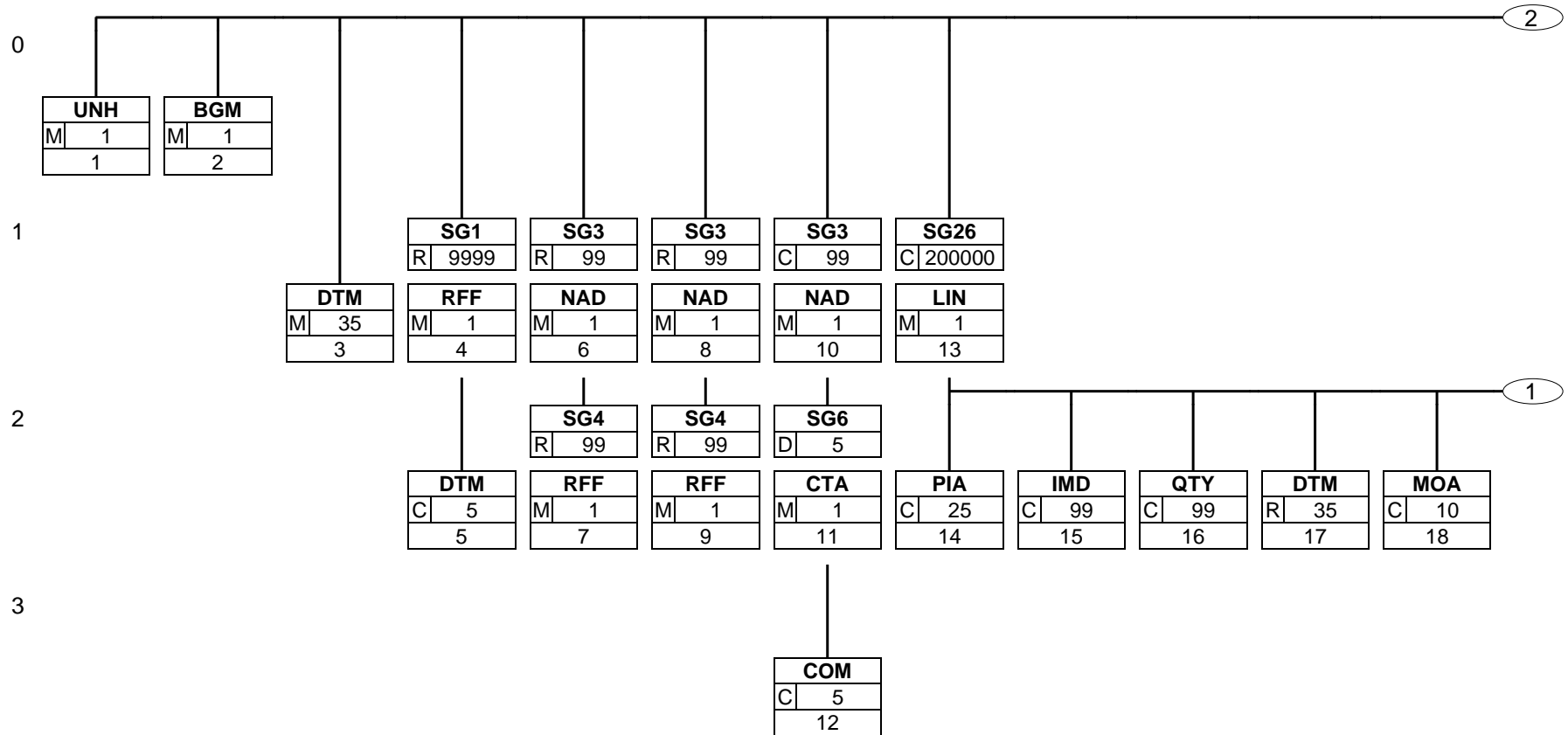
UNH	1	M	1	- Message header
BGM	2	M	1	- Beginning of message
DTM	3	M	35	- Date/time/period
SG1	R	9999		- RFF-DTM
RFF	4	M	1	- Reference
DTM	5	C	5	- Date/time/period
SG3	R	99		- NAD-SG4
NAD	6	M	1	- Name and address
SG4	R	99		- RFF
RFF	7	M	1	- Reference
SG3	R	99		- NAD-SG4
NAD	8	M	1	- Name and address
SG4	R	99		- RFF
RFF	9	M	1	- Reference
SG3	C	99		- NAD-SG6
NAD	10	M	1	- Name and address
SG6	D	5		- CTA-COM
CTA	11	M	1	- Contact information
COM	12	C	5	- Communication contact
SG26	C	200000		- LIN-PIA-IMD-QTY-DTM-MOA-SG30-SG31
LIN	13	M	1	- Line item
PIA	14	C	25	- Additional product id
IMD	15	C	99	- Item description
QTY	16	C	99	- Quantity
DTM	17	R	35	- Date/time/period
MOA	18	C	10	- Monetary amount
SG30	C	25		- PRI
PRI	19	M	1	- Price details
SG31	R	9999		- RFF
RFF	20	M	1	- Reference
UNS	21	C	1	- Section control
UNT	22	C	1	- Message trailer

St = Status

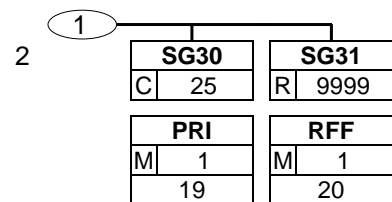
EDIFACT: M=Mandatory, C=Conditional

User specific: R=Required, O=Optional, D=Dependent, A=Advised, N=Not used, X=Not used

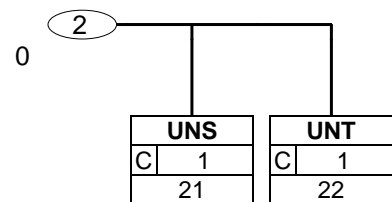
# Branching Diagram



Status: M=Mandatory, C=Conditional, R=Required, O=Optional, D=Dependent, A=Advised, N=Not used, X=Not used



Status: M=Mandatory, C=Conditional, R=Required, O=Optional, D=Dependent, A=Advised, N=Not used, X=Not used



Status: M=Mandatory, C=Conditional, R=Required, O=Optional, D=Dependent, A=Advised, N=Not used, X=Not used

Segment number: 1

<b>UNH</b> - M 1 - Message header						
Function: To head, identify and specify a message.						
Notes: 1. Data element S009/0057 is retained for upward compatibility. The use of S016 and/or S017 is encouraged in preference. 2. The combination of the values carried in data elements 0062 and S009 shall be used to identify uniquely the message within its group (if used) or if not used, within its interchange, for the purpose of acknowledgement.						
EDIFACT			EAN			
Tag	Name	St/Format	St	*	Usage	Example
0062	Message reference number	M an..14	<b>M</b>		Sender's unique message reference. Sequence number of the messages in the interchange. DE 0062 in the UNT will be exactly the same. Sender generated. Numbers in ascending order without gaps.	TS000002
S009	MESSAGE IDENTIFIER	M	<b>M</b>			
0065	Message type	M an..6	<b>M</b>		ORDRS = Purchase order response P message	ORDRSP
0052	Message version number	M an..3	<b>M</b>		D = Draft version/UN/EDIFACT Directory	D
0054	Message release number	M an..3	<b>M</b>		01B = Release 2001 - B	01B
0051	Controlling agency, coded	M an..3	<b>M</b>		UN = UN/CEFACT	UN
Segment Notes: This segment is used to head, identify and specify a message. Example: UNH+TS000002+ORDRSP:D:01B:UN'						

\* = Restricted Codes

St = Status  
EDIFACT: M=Mandatory, C=Conditional  
User specific: R=Required, O=Optional, D=Dependent,  
A=Advised, N=Not used, X=Not used

Segment number: 2

<b>BGM</b> - M 1 - Beginning of message						
Function: To indicate the type and function of a message and to transmit the identifying number.						
EDIFACT			EAN			
Tag	Name	St/Format	St	*	Usage	Example
C002	DOCUMENT/MESSAGE NAME	C	R			
1001	Document name code	C an..3	R		231 = <b>Purchase order response</b>	231
C106	DOCUMENT/MESSAGE IDENTIFICATION	C	R			
1004	Document identifier	C an..70	R		Order response Number assigned by document sender. It is recommended that the length of the document number be restricted to a maximum of 17 characters.	3000917710
1225	Message function code	C an..3	C		4 = <b>Change</b> 27 = <b>Not accepted</b> 29 = <b>Accepted without amendment</b> 45 = <b>Accepted with reserves</b> 6 = <b>Confirmation</b>	29
<p>Segment Notes:</p> <p>This segment is used to indicate the type and function of a message and to transmit the identifying number. It is recommended that all line items from original Purchase Order are included in message regardless what is in DE 1225.</p> <p>Example: BGM+231+3000917710+29'</p>						

\* = Restricted Codes

St = Status  
EDIFACT: M=Mandatory, C=Conditional  
User specific: R=Required, O=Optional, D=Dependent,  
A=Advised, N=Not used, X=Not used



Segment number: 3

<b>DTM</b> - M 35 - Date/time/period						
Function: To specify date, and/or time, or period.						
EDIFACT			EAN			
Tag	Name	St/Format	St	*	Usage	Example
C507	DATE/TIME/PERIOD	M	<b>M</b>			
2005	Date or time or period function code qualifier	M an..3	<b>M</b>		137 = Document/message date/time 11 = Despatch date and/or time Code value 137 is required.	137
2380	Date or time or period value	C an..35	<b>R</b>			2018081411 3244
2379	Date or time or period format code	C an..3	<b>R</b>		204 = CCYYMMDDHHMMSS 102 = CCYYMMDD	204
<p>Segment Notes:</p> <p>This segment is used to specify dates/times relating to the Purchase Order Response, or if required, dates relating to the delivery or collection of the goods. DE 2005: Identification of the 'Document/message date/time' (code value 137) is mandatory in an EANCOM message. Example: DTM+137:20180814113244:204'</p>						

\* = Restricted Codes

St = Status  
EDIFACT: M=Mandatory, C=Conditional  
User specific: R=Required, O=Optional, D=Dependent,  
A=Advised, N=Not used, X=Not used

Segment number: 4

<b>SG1</b>	- R	9999 - RFF-DTM				
<b>RFF</b>	- M	1 - Reference				
Function: To specify a reference.						
EDIFACT			EAN			
Tag	Name	St/Format	St	*	Usage	Example
C506	REFERENCE	M	<b>M</b>			
1153	Reference code qualifier	M an..4	<b>M</b>		ON = <b>Order number (buyer)</b>	ON
1154	Reference identifier	C an..70	<b>R</b>			128576
<p>Segment Notes:</p> <p>This segment is used to refer to the Purchase Order or Purchase Order Change Request to which the Purchase Order Response is responding.          Additionally, further reference can be provided as corrections or clarifications to a previously sent Purchase Order or Purchase Order Change Request. References should normally be given at this point if they apply to all or a majority of the line items.          Example: RFF+ON:128576'</p>						

\* = Restricted Codes

St = Status  
 EDIFACT: M=Mandatory, C=Conditional  
 User specific: R=Required, O=Optional, D=Dependent,  
 A=Advised, N=Not used, X=Not used

Segment number: 5

<b>SG1</b>	- R	9999 - RFF-DTM				
<b>DTM</b>	- C	5 - Date/time/period				
Function: To specify date, and/or time, or period.						
EDIFACT			EAN			
Tag	Name	St/Format	St	*	Usage	Example
C507	DATE/TIME/PERIOD	M	<b>M</b>			
2005	Date or time or period function code qualifier	M an..3	<b>M</b>		171 = <b>Reference date/time</b> This segment is used to specify dates relating to the references given in the preceding RFF segment.	171
2380	Date or time or period value	C an..35	<b>R</b>			2018081310 1850
2379	Date or time or period format code	C an..3	<b>R</b>		204 = <b>CCYYMMDDHHMMSS</b> 102 = <b>CCYYMMDD</b>	204
Segment Notes: This segment is used to specify dates relating to the references given in the preceding RFF segment. Example: DTM+171:20180813101850:204'						

\* = Restricted Codes

St = Status  
EDIFACT: M=Mandatory, C=Conditional  
User specific: R=Required, O=Optional, D=Dependent,  
A=Advised, N=Not used, X=Not used

Segment number: 6

<b>SG3</b>	- R	99 - NAD-SG4				
<b>NAD</b>	- M	1 - Name and address				
Function:						
To specify the name/address and their related function, either by C082 only and/or unstructured by C058 or structured by C080 thru 3207.						
EDIFACT			EAN			
Tag	Name	St/Format	St	*	Usage	Example
3035	Party function code qualifier	M an..3	<b>M</b>		BY = <b>Buyer</b>	BY
C082	PARTY IDENTIFICATION DETAILS	C	<b>D</b>		For identification of the party C082 must be used. Exceptions are only allowed for parties without GLN. For parties without GLN usage of SG3 is required.	
3039	Party identifier	M an..70	<b>M</b>		GLN - Format n13	3830018249 996
1131	Code list identification code	C an..17	<b>N</b>		Not used	
3055	Code list responsible agency code	C an..3	<b>R</b>		9 = <b>GS1</b>	9
C058	NAME AND ADDRESS	C	<b>N</b>			
3124	Name and address description	M an..35	<b>N</b>		Not used	
C080	PARTY NAME	C	<b>C</b>			
3036	Party name	M an..70	<b>M</b>			TELEKOM SLOVENIJE , d.d.
3036	Party name	C an..70	<b>C</b>			X
C059	STREET	C	<b>C</b>			
3042	Street and number or post office box identifier	M an..35	<b>M</b>			Cigaletova ulica 15
3042	Street and number or post office box identifier	C an..35	<b>C</b>			X
3164	City name	C an..35	<b>C</b>			Ljubljana
C819	COUNTRY SUB-ENTITY DETAILS	C	<b>N</b>			
3229	Country sub-entity name code	C an..9	<b>N</b>		Not used	
3251	Postal identification code	C an..17	<b>C</b>			1000
3207	Country name code	C an..3	<b>C</b>			SI
Segment Notes:						
This segment is used to identify the trading partners involved in the Order process. Identification of the buyer and						

\* = Restricted Codes

St = Status  
EDIFACT: M=Mandatory, C=Conditional  
User specific: R=Required, O=Optional, D=Dependent,  
A=Advised, N=Not used, X=Not used

**Segment Details**

---

Segment number: 6

supplier of goods and services is mandatory using DE's 3035 and C082.

Example: NAD+BY+3830018249996::9++TELEKOM SLOVENIJE, d.d.:X+Cigaletova ulica 15:X+Ljubljana++1000+SI'

\* = Restricted Codes

St = Status

EDIFACT: M=Mandatory, C=Conditional

User specific: R=Required, O=Optional, D=Dependent,

A=Advised, N=Not used, X=Not used

Segment number: 7

<b>SG3</b>	- R	99 - NAD-SG4				
<b>SG4</b>	- R	99 - RFF				
<b>RFF</b>	- M	1 - Reference				
Function: To specify a reference.						
EDIFACT			EAN			
Tag	Name	St/Format	St	*	Usage	Example
C506	REFERENCE	M	<b>M</b>			
1153	Reference code qualifier	M an..4	<b>M</b>		VA = VAT registration number	VA
1154	Reference identifier	C an..70	<b>R</b>			SI98511734
<p>Segment Notes:</p> <p>This segment is used to specify reference numbers related to the party specified in the previous NAD segment. For Buyer(BY) and Supplier(SU) usage of VAT registration number(VA) is required. Usage of other codes should be mutually defined among trading partners.</p> <p>Example: RFF+VA:SI98511734'</p>						

\* = Restricted Codes

St = Status  
EDIFACT: M=Mandatory, C=Conditional  
User specific: R=Required, O=Optional, D=Dependent,  
A=Advised, N=Not used, X=Not used

Segment number: 8

<b>SG3</b>	- R	99 - NAD-SG4				
<b>NAD</b>	- M	1 - Name and address				
Function: To specify the name/address and their related function, either by C082 only and/or unstructured by C058 or structured by C080 thru 3207.						
EDIFACT			EAN			
Tag	Name	St/Format	St	*	Usage	Example
3035	Party function code qualifier	M an..3	<b>M</b>		SU = <b>Supplier</b>	SU
C082	PARTY IDENTIFICATION DETAILS	C	<b>D</b>		For identification of the party C082 must be used. Exceptions are only allowed for parties without GLN. For parties without GLN usage of SG3 is required.	
3039	Party identifier	M an..70	<b>M</b>		GLN - Format n13	3834567000 210
1131	Code list identification code	C an..17	<b>N</b>		Not used	
3055	Code list responsible agency code	C an..3	<b>R</b>		9 = <b>GS1</b>	9
C058	NAME AND ADDRESS	C	<b>N</b>			
3124	Name and address description	M an..35	<b>N</b>		Not used	
C080	PARTY NAME	C	<b>C</b>			
3036	Party name	M an..70	<b>M</b>			Dobavitelj d.o.o.
3036	Party name	C an..70	<b>C</b>			X
C059	STREET	C	<b>C</b>			
3042	Street and number or post office box identifier	M an..35	<b>M</b>			Dobaviteljev a ulica 20
3042	Street and number or post office box identifier	C an..35	<b>C</b>			X
3164	City name	C an..35	<b>C</b>			Nova Gorica
C819	COUNTRY SUB-ENTITY DETAILS	C	<b>N</b>			
3229	Country sub-entity name code	C an..9	<b>N</b>		Not used	
3251	Postal identification code	C an..17	<b>C</b>			5000
3207	Country name code	C an..3	<b>C</b>			SI
Segment Notes: This segment is used to identify the trading partners involved in the Order process. Identification of the buyer and supplier of goods and services is mandatory using DE's 3035 and C082.						

\* = Restricted Codes

St = Status  
EDIFACT: M=Mandatory, C=Conditional  
User specific: R=Required, O=Optional, D=Dependent,  
A=Advised, N=Not used, X=Not used

**Segment Details**

---

Segment number: 8

Example: NAD+SU+3834567000210::9++Dobavitelj d.o.o.:X+Dobaviteljeva ulica 20:X+Nova Gorica++5000+SI'
--

\* = Restricted Codes

St = Status

EDIFACT: M=Mandatory, C=Conditional

User specific: R=Required, O=Optional, D=Dependent,

A=Advised, N=Not used, X=Not used



Segment number: 9

<b>SG3</b>	- R	99 - NAD-SG4				
<b>SG4</b>	- R	99 - RFF				
<b>RFF</b>	- M	1 - Reference				
Function: To specify a reference.						
EDIFACT			EAN			
Tag	Name	St/Format	St	*	Usage	Example
C506	REFERENCE	M	<b>M</b>			
1153	Reference code qualifier	M an..4	<b>M</b>		VA = VAT registration number	VA
1154	Reference identifier	C an..70	<b>R</b>			SI12345678
<p>Segment Notes:</p> <p>This segment is used to specify reference numbers related to the party specified in the previous NAD segment. For Buyer(BY) and Supplier(SU) usage of VAT registration number(VA) is required. Usage of other codes should be mutually defined among trading partners.</p> <p>Example: RFF+VA:SI12345678'</p>						

\* = Restricted Codes

St = Status  
 EDIFACT: M=Mandatory, C=Conditional  
 User specific: R=Required, O=Optional, D=Dependent,  
 A=Advised, N=Not used, X=Not used

Segment number: 10

<b>SG3</b>	- C	99 - NAD-SG6				
<b>NAD</b>	- M	1 - Name and address				
Function:						
To specify the name/address and their related function, either by C082 only and/or unstructured by C058 or structured by C080 thru 3207.						
EDIFACT			EAN			
Tag	Name	St/Format	St	*	Usage	Example
3035	Party function code qualifier	M an..3	<b>M</b>		DP = <b>Delivery party</b>	DP
C082	PARTY IDENTIFICATION DETAILS	C	<b>D</b>		For identification of the party C082 must be used. Exceptions are only allowed for parties without GLN. For parties without GLN usage of SG3 is required.	
3039	Party identifier	M an..70	<b>M</b>		GLN - Format n13	3830018249 965
1131	Code list identification code	C an..17	<b>N</b>		Not used	
3055	Code list responsible agency code	C an..3	<b>R</b>		9 = <b>GS1</b>	9
C058	NAME AND ADDRESS	C	<b>N</b>			
3124	Name and address description	M an..35	<b>N</b>		Not used	
C080	PARTY NAME	C	<b>C</b>			
3036	Party name	M an..70	<b>M</b>			Telekom Slovenije, d.d., Centralno skladišče
3036	Party name	C an..70	<b>C</b>			X
C059	STREET	C	<b>C</b>			
3042	Street and number or post office box identifier	M an..35	<b>M</b>			Litostrojska cesta 58 b
3042	Street and number or post office box identifier	C an..35	<b>C</b>			X
3164	City name	C an..35	<b>C</b>			Ljubljana
C819	COUNTRY SUB-ENTITY DETAILS	C	<b>N</b>			
3229	Country sub-entity name code	C an..9	<b>N</b>		Not used	
3251	Postal identification code	C an..17	<b>C</b>			1000
3207	Country name code	C an..3	<b>C</b>			SI
Segment Notes:						

\* = Restricted Codes

St = Status  
EDIFACT: M=Mandatory, C=Conditional  
User specific: R=Required, O=Optional, D=Dependent,  
A=Advised, N=Not used, X=Not used

**Segment Details**

---

Segment number: 10

This segment is used to identify the trading partners involved in the Order process. Identification of the buyer and supplier of goods and services is mandatory using DE's 3035 and C082.

Example: NAD+DP+3830018249965::9++Telekom Slovenije, d.d., Centralno skladišče:X+Litostrojska cesta  
58 b:X+Ljubljana++1000+SI'

\* = Restricted Codes

St = Status

EDIFACT: M=Mandatory, C=Conditional

User specific: R=Required, O=Optional, D=Dependent,

A=Advised, N=Not used, X=Not used

Segment number: 11

<b>SG3</b>	- C	99 - NAD-SG6
<b>SG6</b>	- D	5 - CTA-COM
<b>CTA</b>	- M	1 - Contact information

Function:  
To identify a person or a department to whom communication should be directed.

EDIFACT			EAN			
Tag	Name	St/Format	St	*	Usage	Example
3139	Contact function code	C an..3	<b>R</b>		OC = <b>Order contact</b>	OC
C056	DEPARTMENT OR EMPLOYEE DETAILS	C	<b>C</b>			
3413	Department or employee name code	C an..17	<b>N</b>		Not used	
3412	Department or employee name	C an..256	<b>C</b>			TS Centralno skladišče Litostrojska

Segment Notes:  
Example: CTA+OC+:TS Centralno skladišče Litostrojska'

\* = Restricted Codes

St = Status  
EDIFACT: M=Mandatory, C=Conditional  
User specific: R=Required, O=Optional, D=Dependent,  
A=Advised, N=Not used, X=Not used

## Segment Details

Segment number: 12

<b>SG3</b>	- C	99 - NAD-SG6				
<b>SG6</b>	- D	5 - CTA-COM				
<b>COM</b>	- C	5 - Communication contact				
<p>Function: To identify a communication number of a department or a person to whom communication should be directed.</p>						
EDIFACT			EAN			
Tag	Name	St/Format	St	*	Usage	Example
C076	COMMUNICATION CONTACT	M	<b>M</b>			
3148	Communication address identifier	M an..512	<b>M</b>			01 472 8219
3155	Communication address code qualifier	M an..4	<b>M</b>		EM = <b>Electronic mail</b> TE = <b>Telephone</b>	TE
<p>Segment Notes: This segment identifies the communications number, and type of communications, for the person or department identified in the preceding CTA segment. Example: COM+01 472 8219:TE'</p>						

\* = Restricted Codes

St = Status  
EDIFACT: M=Mandatory, C=Conditional  
User specific: R=Required, O=Optional, D=Dependent,  
A=Advised, N=Not used, X=Not used

Segment number: 13

<b>SG26</b> - C 200000 - LIN-PIA-IMD-QTY-DTM-MOA-SG30-SG31						
<b>LIN</b> - M 1 - Line item						
Function: To identify a line item and configuration.						
EDIFACT			EAN			
Tag	Name	St/Format	St	*	Usage	Example
1082	Line item identifier	C an..6	R		Application generated number of the count of the order lines.	1
1229	Action request/notification description code	C an..3	R		3 = <b>Changed</b> 5 = <b>Accepted without amendment</b>	5
C212	ITEM NUMBER IDENTIFICATION	C	C			
7140	Item identifier	C an..35	R		Format n..14 GTIN - this is the number of the article being ordered. If GTIN is not used then C212 is not used.	8806000007501
7143	Item type identification code	C an..4	R		SRV = <b>GS1 Global Trade Item Number</b>	SRV
Segment Notes: This segment is used to identify the product being responded to. Example: LIN+1+5+8806000007501:SRV'						

\* = Restricted Codes

St = Status  
EDIFACT: M=Mandatory, C=Conditional  
User specific: R=Required, O=Optional, D=Dependent,  
A=Advised, N=Not used, X=Not used

Segment number: 14

<b>SG26</b>	- C	200000 - LIN-PIA-IMD-QTY-DTM-MOA-SG30-SG31		
<b>PIA</b>	- C	25 - Additional product id		
Function: To specify additional or substitutional item identification codes.				
EDIFACT		EAN		
Tag	Name	St/Format	St * Usage Example	
4347	Product identifier code qualifier	M an..3	<b>M</b> 1 = <b>Additional identification</b> 5 = <b>Product identification</b> Product Id function coded has the following restricted coded functions: 1 - Additional Identification - To provide an additional identity for the product identified in the LIN segment. The additional identification can consist of : A supplemental identification which provides more information complementary to the main trade item number provided in the LIN segment, e. g., a batch number, promotional variant number, product group number, etc. An alternative identification which may be used where no main trade item number has been provided in the LIN segment, e.g., a buyers article number, an HIBC code, etc. 5 - Product Identification - To provide the primary product identification code when no GTIN has been provided in the LIN segment. GTIN should not be used in conjunction with this code value. It should be noted that when this code is used the product code specified here is the code which should be used for invoicing purposes.	5
C212	ITEM NUMBER IDENTIFICATION	M	<b>M</b>	
7140	Item identifier	C an..35	<b>C</b>	5330051
7143	Item type identification code	C an..4	<b>C</b>	SA = <b>Supplier's article number</b> SA
Segment Notes: This segment is used to specify additional item identification codes such as a buyer's, or seller's item number. Example: PIA+5+5330051:SA'				

\* = Restricted Codes

St = Status  
EDIFACT: M=Mandatory, C=Conditional  
User specific: R=Required, O=Optional, D=Dependent,  
A=Advised, N=Not used, X=Not used

Segment number: 15

<b>SG26</b>	- C	200000 - LIN-PIA-IMD-QTY-DTM-MOA-SG30-SG31				
<b>IMD</b>	- C	99 - Item description				
Function: To describe an item in either an industry or free format.						
EDIFACT			EAN			
Tag	Name	St/Format	St	*	Usage	Example
7077	Description format code	C an..3	<b>R</b>		F = <b>Free-form</b>	F
C272	ITEM CHARACTERISTIC	C	<b>N</b>			
7081	Item characteristic code	C an..3	<b>N</b>		Not used	
C273	ITEM DESCRIPTION	C	<b>C</b>			
7009	Item description code	C an..17	<b>N</b>		Not used	
1131	Code list identification code	C an..17	<b>N</b>		Not used	
3055	Code list responsible agency code	C an..3	<b>N</b>		Not used	
7008	Item description	C an..256	<b>C</b>			LED TV GORENJE 50AB0001
7008	Item description	C an..256	<b>C</b>			X
Segment Notes: This segment is used to describe the current line item. It is recommended that this segment only be used for coded descriptions. Data element 7008 in clear text should only be used when no product code is available or when free-form descriptions are required by trading partners. Example: IMD+F++::LED TV GORENJE 50AB0001:X'						

\* = Restricted Codes

St = Status  
EDIFACT: M=Mandatory, C=Conditional  
User specific: R=Required, O=Optional, D=Dependent,  
A=Advised, N=Not used, X=Not used



Segment number: 16

<b>SG26</b> - C 200000 - LIN-PIA-IMD-QTY-DTM-MOA-SG30-SG31						
<b>QTY</b> - C 99 - Quantity						
Function: To specify a pertinent quantity.						
EDIFACT			EAN			
Tag	Name	St/Format	St	*	Usage	Example
C186	QUANTITY DETAILS	M	<b>M</b>			
6063	Quantity type code qualifier	M an..3	<b>M</b>		21 = <b>Ordered quantity</b> 113 = <b>Quantity to be delivered</b> Code value '59' is only to be used in the Purchase Order Response for confirmation purposes and not to change any information previously agreed and contained in a price or product catalogue.	21
6060	Quantity	M an..35	<b>M</b>			2
6411	Measurement unit code	C an..8	<b>D</b>		KGM = <b>kilogram</b> LTR = <b>litre</b> MTR = <b>metre</b> PCE = <b>Piece (GS1 Temporary Code)</b> Measurement unit code (See EANCOM DE 6411 Codes Set)	PCE
<p>Segment Notes:</p> <p>This segment is used to specify quantity information related to the current line item. If split deliveries are being used, the quantities for the split delivery are specified in segment group 35. The totals for all quantities expressed in the QTY's at segment group level must equal the value in this QTY segment.</p> <p>Example: QTY+21:2:PCE'</p>						

\* = Restricted Codes

St = Status  
EDIFACT: M=Mandatory, C=Conditional  
User specific: R=Required, O=Optional, D=Dependent,  
A=Advised, N=Not used, X=Not used

Segment number: 17

<b>SG26</b> - C 200000 - LIN-PIA-IMD-QTY-DTM-MOA-SG30-SG31						
<b>DTM</b> - R 35 - Date/time/period						
Function: To specify date, and/or time, or period.						
EDIFACT			EAN			
Tag	Name	St/Format	St	*	Usage	Example
C507	DATE/TIME/PERIOD	M	<b>M</b>			
2005	Date or time or period function code qualifier	M an..3	<b>M</b>		17 = Delivery date/time, estimated 11 = Despatch date and/or time	11
2380	Date or time or period value	C an..35	<b>R</b>			20210417
2379	Date or time or period format code	C an..3	<b>R</b>		204 = CCYYMMDDHHMMSS 102 = CCYYMMDD	102
Segment Notes: This segment is used to specify dates/times relating to the Purchase Order Response, or if required, dates relating to the delivery or collection of the goods. Example: DTM+11:20210417:102'						

\* = Restricted Codes

St = Status  
EDIFACT: M=Mandatory, C=Conditional  
User specific: R=Required, O=Optional, D=Dependent,  
A=Advised, N=Not used, X=Not used

Segment number: 18

<b>SG26</b> - C 200000 - LIN-PIA-IMD-QTY-DTM-MOA-SG30-SG31						
<b>MOA</b> - C 10 - Monetary amount						
Function: To specify a monetary amount.						
EDIFACT			EAN			
Tag	Name	St/Format	St	*	Usage	Example
C516	MONETARY AMOUNT	M	<b>M</b>			
5025	Monetary amount type code qualifier	M an..3	<b>M</b>		203 = <b>Line item amount</b>	203
5004	Monetary amount	C n..35	<b>R</b>			1700.00
Segment Notes: This segment is used to specify line item monetary amount. For specific purposes usage of this segment should be mutually defined among trading partners. Example: MOA+203:1700.00'						

\* = Restricted Codes

St = Status  
EDIFACT: M=Mandatory, C=Conditional  
User specific: R=Required, O=Optional, D=Dependent,  
A=Advised, N=Not used, X=Not used

Segment number: 19

<b>SG26</b>	- C	200000	- LIN-PIA-IMD-QTY-DTM-MOA-SG30-SG31		
<b>SG30</b>	- C	25	- PRI		
<b>PRI</b>	- M	1	- Price details		
Function: To specify price information.					
EDIFACT			EAN		
Tag	Name	St/Format	St	* Usage	Example
C509	PRICE INFORMATION	C	<b>R</b>		
5125	Price code qualifier	M an..3	<b>M</b>	AAA = Calculation net AAB = Calculation gross	AAA
5118	Price amount	C n..15	<b>R</b>		850.00
5375	Price type code	C an..3	<b>N</b>	Not used	
5387	Price specification code	C an..3	<b>C</b>	INV = Invoice price	INV
5284	Unit price basis value	C n..9	<b>C</b>		1
6411	Measurement unit code	C an..8	<b>C</b>	PCE = Piece (GS1 Temporary Code) open codelist 6411	PCE
<p>Segment Notes:</p> <p>This segment is used to provide price information for the current line item. The calculation price detailed in the Order Response will always be the Net Unit Price, i.e., Gross Price + Charges - Allowances.</p> <p>Dependency Notes: Data elements 5284 and 6411 are used when a product is a variable quantity product, e.g. price per 200 kilos, or when the unit of measure for purchasing, delivery, and invoicing are different for a product, e.g. sugar is not a variable quantity product but ordered and delivered in packs, and invoiced in kilos or tonnes.</p> <p>Example: PRI+AAA:850.00::INV:1:PCE'</p>					

\* = Restricted Codes

St = Status  
EDIFACT: M=Mandatory, C=Conditional  
User specific: R=Required, O=Optional, D=Dependent,  
A=Advised, N=Not used, X=Not used

Segment number: 20

<b>SG26</b>	- C	200000	- LIN-PIA-IMD-QTY-DTM-MOA-SG30-SG31		
<b>SG31</b>	- R	9999	- RFF		
<b>RFF</b>	- M	1	- Reference		
Function: To specify a reference.					
EDIFACT			EAN		
Tag	Name	St/Format	St	* Usage	Example
C506	REFERENCE	M	<b>M</b>		
1153	Reference code qualifier	M an..4	<b>R</b>	ON = <b>Order number (buyer)</b> Qualifier LI refers to the related detail order line of the ORDERS message. The order-number must be submitted in the header of the message with the qualifier ON (VN). (see example): AAK can be used for return-deliveries.	ON
1154	Reference identifier	C an..70	<b>C</b>		132001
1156	Document line identifier	C an..6	<b>R</b>		1
Segment Notes: This segment is used to specify any references, which are applicable to the current line item only. References stated here will override those specified in the heading section when the same qualifier is used. Example: RFF+ON:132001:1'					

\* = Restricted Codes

St = Status  
EDIFACT: M=Mandatory, C=Conditional  
User specific: R=Required, O=Optional, D=Dependent,  
A=Advised, N=Not used, X=Not used

Segment number: 21

<b>UNS</b> - C 1 - Section control						
Function: To separate header, detail and summary sections of a message.						
Notes: To be used by message designers only when required to avoid ambiguities.						
EDIFACT			EAN			
Tag	Name	St/Format	St	*	Usage	Example
0081	Section identification	M a1	<b>M</b>			D
Segment Notes: Example: UNS+D'						

\* = Restricted Codes

St = Status  
EDIFACT: M=Mandatory, C=Conditional  
User specific: R=Required, O=Optional, D=Dependent,  
A=Advised, N=Not used, X=Not used

Segment number: 22

<b>UNT</b> - C 1 - Message trailer						
Function: To end and check the completeness of a message.						
Notes: 1. 0062, the value shall be identical to the value in 0062 in the corresponding UNH segment.						
EDIFACT			EAN			
Tag	Name	St/Format	St	*	Usage	Example
0074	Number of segments in a message	M n..10	<b>M</b>			22
0062	Message reference number	M an..14	<b>M</b>			TS000002
Segment Notes: Example: UNT+22+TS000002'						

\* = Restricted Codes

St = Status  
EDIFACT: M=Mandatory, C=Conditional  
User specific: R=Required, O=Optional, D=Dependent,  
A=Advised, N=Not used, X=Not used

---

Applicable codes, sorted by data elements

**0051** Controlling agency, coded

Code	Code name/description
<b>UN</b>	UN/CEFACT United Nations Centre for Trade Facilitation and Electronic Business (UN/CEFACT).



---

Applicable codes, sorted by data elements

**0052** Message version number

Code	Code name/description
<b>D</b>	Draft version/UN/EDIFACT Directory Message approved and issued as a draft message (Valid for directories published after March 1993 and prior to March 1997). Message approved as a standard message (Valid for directories published after March 1997).

---

Applicable codes, sorted by data elements

**0054** Message release number

Code	Code name/description
<b>01B</b>	Release 2001 - B Message approved and issued in the second 2001 release of the UNTDID (United Nations Trade Data Interchange Directory).

## Applicable Codes

---

Applicable codes, sorted by data elements

### 0065 Message type

Code	Code name/description
<b>ORDRSP</b>	Purchase order response message A code to identify the purchase order response message.

---

Applicable codes, sorted by data elements

**0081** Section identification

Code	Code name/description
<b>D</b>	Header/detail section separation To qualify the segment UNS, when separating the header from the detail section of a message.
<b>S</b>	Detail/summary section separation To qualify the segment UNS, when separating the detail from the summary section of a message.

---

Applicable codes, sorted by data elements

**1001** Document name code

Code	Code name/description
<b>231</b>	Purchase order response Response to an purchase order already received.

**Applicable Codes**

Applicable codes, sorted by data elements

**1153** Reference code qualifier

Code	Code name/description
<b>ON</b>	Order number (buyer) [1022] Reference number assigned by the buyer to an order.
<b>VA</b>	VAT registration number Unique number assigned by the relevant tax authority to identify a party for use in relation to Value Added Tax (VAT).

**Applicable Codes**

Applicable codes, sorted by data elements

**1225** Message function code

Code	Code name/description
4	Change Message containing items to be changed.
6	Confirmation Message confirming the details of a previous transmission where such confirmation is required or recommended under the terms of a trading partner agreement.
27	Not accepted Message to inform that the referenced message is not accepted by the recipient.
29	Accepted without amendment Referenced message is entirely accepted.
45	Accepted with reserves Message accepted with reserves.

**Applicable Codes**

Applicable codes, sorted by data elements

**1229** Action request/notification description code

Code	Code name/description
3	Changed The information is to be or has been changed.
5	Accepted without amendment This line item is entirely accepted by the seller.



## Applicable Codes

Applicable codes, sorted by data elements

### 2005 Date or time or period function code qualifier

Code	Code name/description
11	Despatch date and/or time (2170) Date/time on which the goods are or are expected to be despatched or shipped.
17	Delivery date/time, estimated Date and/or time when the shipper of the goods expects delivery will take place.
137	Document/message date/time (2006) Date/time when a document/message is issued. This may include authentication.
171	Reference date/time Date/time on which the reference was issued.

**Applicable Codes**

Applicable codes, sorted by data elements

**2379** Date or time or period format code

Code	Code name/description
<b>102</b>	CCYYMMDD Calendar date: C = Century ; Y = Year ; M = Month ; D = Day.
<b>204</b>	CCYYMMDDHHMMSS Calendar date including time with seconds: C=Century;Y=Year; M=Month;D=Day;H=Hour; M=Minute;S=Second.

**Applicable Codes**

Applicable codes, sorted by data elements

**3035** Party function code qualifier

Code	Code name/description
<b>BY</b>	Buyer Party to whom merchandise and/or service is sold.
<b>DP</b>	Delivery party (3144) Party to which goods should be delivered, if not identical with consignee.
<b>SU</b>	Supplier Party who supplies goods and/or services.

---

Applicable codes, sorted by data elements

**3055** Code list responsible agency code

Code	Code name/description
<b>9</b>	GS1 GS1 (formerly EAN International), an organisation of GS1 Member Organisations, which manages the GS1 System.

**Applicable Codes**

---

Applicable codes, sorted by data elements

**3139** Contact function code

Code	Code name/description
<b>OC</b>	Order contact An individual to contact for questions regarding this order.

---

Applicable codes, sorted by data elements

**3155** Communication address code qualifier

Code	Code name/description
<b>EM</b>	Electronic mail Exchange of mail by electronic means.
<b>TE</b>	Telephone Voice/data transmission by telephone.

## Applicable Codes

Applicable codes, sorted by data elements

### 3207 Country name code

Code	Code name/description
AD	ANDORRA
AE	UNITED ARAB EMIRATES
AF	AFGHANISTAN
AG	ANTIGUA AND BARBUDA
AI	ANGUILLA
AL	ALBANIA
AM	ARMENIA
AN	NETHERLANDS ANTILLES
AO	ANGOLA
AQ	ANTARCTICA
AR	ARGENTINA
AS	AMERICAN SAMOA
AT	AUSTRIA
AU	AUSTRALIA
AW	ARUBA
AZ	AZERBAIJAN
BA	BOSNIA AND HERZEGOVINA
BB	BARBADOS
BD	BANGLADESH
BE	BELGIUM
BF	BURKINA FASO
BG	BULGARIA
BH	BAHRAIN
BI	BURUNDI
BJ	BENIN
BM	BERMUDA
BN	BRUNEI DARUSSALAM
BO	BOLIVIA
BR	BRAZIL

## Applicable Codes

Applicable codes, sorted by data elements

<b>BS</b>	BAHAMAS
<b>BT</b>	BHUTAN
<b>BV</b>	BOUVET ISLAND
<b>BW</b>	BOTSWANA
<b>BY</b>	BELARUS
<b>BZ</b>	BELIZE
<b>CA</b>	CANADA
<b>CC</b>	COCOS (KEELING) ISLANDS
<b>CD</b>	CONGO, THE DEMOCRATIC REPUBLIC OF THE
<b>CF</b>	CENTRAL AFRICAN REPUBLIC
<b>CG</b>	CONGO
<b>CH</b>	SWITZERLAND
<b>CI</b>	COTE D'IVOIRE
<b>CK</b>	COOK ISLANDS
<b>CL</b>	CHILE
<b>CM</b>	CAMEROON
<b>CN</b>	CHINA
<b>CO</b>	COLOMBIA
<b>CR</b>	COSTA RICA
<b>CU</b>	CUBA
<b>CV</b>	CAPE VERDE
<b>CX</b>	CHRISTMAS ISLAND
<b>CY</b>	CYPRUS
<b>CZ</b>	CZECH REPUBLIC
<b>DE</b>	GERMANY
<b>DJ</b>	DJIBOUTI
<b>DK</b>	DENMARK
<b>DM</b>	DOMINICA
<b>DO</b>	DOMINICAN REPUBLIC
<b>DZ</b>	ALGERIA
<b>EC</b>	ECUADOR
<b>EE</b>	ESTONIA



## Applicable Codes

Applicable codes, sorted by data elements

<b>EG</b>	EGYPT
<b>EH</b>	WESTERN SAHARA
<b>ER</b>	ERITREA
<b>ES</b>	SPAIN
<b>ET</b>	ETHIOPIA
<b>FI</b>	FINLAND
<b>FJ</b>	FIJI
<b>FK</b>	FALKLAND ISLANDS (MALVINAS)
<b>FM</b>	MICRONESIA, FEDERATED STATES OF
<b>FO</b>	FAROE ISLANDS
<b>FR</b>	FRANCE
<b>GA</b>	GABON
<b>GB</b>	UNITED KINGDOM
<b>GD</b>	GRENADA
<b>GE</b>	GEORGIA
<b>GF</b>	FRENCH GUIANA
<b>GH</b>	GHANA
<b>GI</b>	GIBRALTAR
<b>GL</b>	GREENLAND
<b>GM</b>	GAMBIA
<b>GN</b>	GUINEA
<b>GP</b>	GUADELOUPE
<b>GQ</b>	EQUATORIAL GUINEA
<b>GR</b>	GREECE
<b>GS</b>	SOUTH GEORGIA AND THE SOUTH SANDWICH ISLANDS
<b>GT</b>	GUATEMALA
<b>GU</b>	GUAM
<b>GW</b>	GUINEA-BISSAU
<b>GY</b>	GUYANA
<b>HK</b>	HONG KONG
<b>HM</b>	HEARD ISLAND AND MCDONALD ISLANDS
<b>HN</b>	HONDURAS

## Applicable Codes

Applicable codes, sorted by data elements

HR	CROATIA
HT	HAITI
HU	HUNGARY
ID	INDONESIA
IE	IRELAND
IL	ISRAEL
IN	INDIA
IO	BRITISH INDIAN OCEAN TERRITORY
IQ	IRAQ
IR	IRAN, ISLAMIC REPUBLIC OF
IS	ICELAND
IT	ITALY
JM	JAMAICA
JO	JORDAN
JP	JAPAN
KE	KENYA
KG	KYRGYZSTAN
KH	CAMBODIA
KI	KIRIBATI
KM	COMOROS
KN	SAINT KITTS AND NEVIS
KP	KOREA, DEMOCRATIC PEOPLE'S REPUBLIC OF
KR	KOREA, REPUBLIC OF
KW	KUWAIT
KY	CAYMAN ISLANDS
KZ	KAZAKSTAN
LA	LAO PEOPLE'S DEMOCRATIC REPUBLIC
LB	LEBANON
LC	SAINT LUCIA
LI	LIECHTENSTEIN
LK	SRI LANKA
LR	LIBERIA

## Applicable Codes

Applicable codes, sorted by data elements

<b>LS</b>	LESOTHO
<b>LT</b>	LITHUANIA
<b>LU</b>	LUXEMBOURG
<b>LV</b>	LATVIA
<b>LY</b>	LIBYAN ARAB JAMAHIRIYA
<b>MA</b>	MOROCCO
<b>MC</b>	MONACO
<b>MD</b>	MOLDOVA, REPUBLIC OF
<b>MG</b>	MADAGASCAR
<b>MH</b>	MARSHALL ISLANDS
<b>MK</b>	MACEDONIA, THE FORMER YUGOSLAV REPUBLIC OF
<b>ML</b>	MALI
<b>MM</b>	MYANMAR
<b>MN</b>	MONGOLIA
<b>MO</b>	MACAU
<b>MP</b>	NORTHERN MARIANA ISLANDS
<b>MQ</b>	MARTINIQUE
<b>MR</b>	MAURITANIA
<b>MS</b>	MONTSERRAT
<b>MT</b>	MALTA
<b>MU</b>	MAURITIUS
<b>MV</b>	MALDIVES
<b>MW</b>	MALAWI
<b>MX</b>	MEXICO
<b>MY</b>	MALAYSIA
<b>MZ</b>	MOZAMBIQUE
<b>NA</b>	NAMIBIA
<b>NC</b>	NEW CALEDONIA
<b>NE</b>	NIGER
<b>NF</b>	NORFOLK ISLAND
<b>NG</b>	NIGERIA
<b>NI</b>	NICARAGUA

## Applicable Codes

Applicable codes, sorted by data elements

NL	NETHERLANDS
NO	NORWAY
NP	NEPAL
NR	NAURU
NU	NIUE
NZ	NEW ZEALAND
OM	OMAN
PA	PANAMA
PE	PERU
PF	FRENCH POLYNESIA
PG	PAPUA NEW GUINEA
PH	PHILIPPINES
PK	PAKISTAN
PL	POLAND
PM	SAINT PIERRE AND MIQUELON
PN	PITCAIRN
PR	PUERTO RICO
PS	PALESTINIAN TERRITORY, OCCUPIED
PT	PORTUGAL
PW	PALAU
PY	PARAGUAY
QA	QATAR
RE	REUNION
RO	ROMANIA
RS	SERBIA
RU	RUSSIAN FEDERATION
RW	RWANDA
SA	SAUDI ARABIA
SB	SOLOMON ISLANDS
SC	SEYCHELLES
SD	SUDAN
SE	SWEDEN

## Applicable Codes

Applicable codes, sorted by data elements

<b>SG</b>	SINGAPORE
<b>SH</b>	SAINT HELENA
<b>SI</b>	SLOVENIA
<b>SJ</b>	SVALBARD AND JAN MAYEN
<b>SK</b>	SLOVAKIA
<b>SL</b>	SIERRA LEONE
<b>SM</b>	SAN MARINO
<b>SN</b>	SENEGAL
<b>SO</b>	SOMALIA
<b>SR</b>	SURINAME
<b>ST</b>	SAO TOME AND PRINCIPE
<b>SV</b>	EL SALVADOR
<b>SY</b>	SYRIAN ARAB REPUBLIC
<b>SZ</b>	SWAZILAND
<b>TC</b>	TURKS AND CAICOS ISLANDS
<b>TD</b>	CHAD
<b>TF</b>	FRENCH SOUTHERN TERRITORIES
<b>TG</b>	TOGO
<b>TH</b>	THAILAND
<b>TJ</b>	TAJIKISTAN
<b>TK</b>	TOKELAU
<b>TM</b>	TURKMENISTAN
<b>TN</b>	TUNISIA
<b>TO</b>	TONGA
<b>TP</b>	EAST TIMOR
<b>TR</b>	TURKEY
<b>TT</b>	TRINIDAD AND TOBAGO
<b>TV</b>	TUVALU
<b>TW</b>	TAIWAN, PROVINCE OF CHINA
<b>TZ</b>	TANZANIA, UNITED REPUBLIC OF
<b>UA</b>	UKRAINE
<b>UG</b>	UGANDA

**Applicable Codes**

Applicable codes, sorted by data elements

<b>UM</b>	UNITED STATES MINOR OUTLYING ISLANDS
<b>US</b>	UNITED STATES
<b>UY</b>	URUGUAY
<b>UZ</b>	UZBEKISTAN
<b>VA</b>	HOLY SEE (VATICAN CITY STATE)
<b>VC</b>	SAINT VINCENT AND THE GRENADINES
<b>VE</b>	VENEZUELA
<b>VG</b>	VIRGIN ISLANDS, BRITISH
<b>VI</b>	VIRGIN ISLANDS, U.S.
<b>VN</b>	VIET NAM
<b>VU</b>	VANUATU
<b>WF</b>	WALLIS AND FUTUNA
<b>WS</b>	SAMOA
<b>YE</b>	YEMEN
<b>YT</b>	MAYOTTE
<b>YU</b>	YUGOSLAVIA
<b>ZA</b>	SOUTH AFRICA
<b>ZM</b>	ZAMBIA
<b>ZW</b>	ZIMBABWE

**Applicable Codes**

---

Applicable codes, sorted by data elements

**4347** Product identifier code qualifier

Code	Code name/description
1	Additional identification Information which specifies and qualifies product identifications.
5	Product identification The item number is for product identification.

---

Applicable codes, sorted by data elements

**5025** Monetary amount type code qualifier

Code	Code name/description
<b>203</b>	Line item amount Goods item total minus allowances plus charges for line item. See also Code 66.



**Applicable Codes**

Applicable codes, sorted by data elements

**5125** Price code qualifier

Code	Code name/description
<b>AAA</b>	Calculation net The price stated is the net price including allowances/ charges. Allowances/charges may be stated for information only.
<b>AAB</b>	Calculation gross The price stated is the gross price to which allowances/charges, if valid, must be applied.

---

Applicable codes, sorted by data elements

**5387** Price specification code

Code	Code name/description
<b>INV</b>	Invoice price Price per unit of quantity of a product as specified on an invoice.

**Applicable Codes**

Applicable codes, sorted by data elements

**6063** Quantity type code qualifier

Code	Code name/description
21	Ordered quantity The quantity which has been ordered.
113	Quantity to be delivered The quantity to be delivered.

---

Applicable codes, sorted by data elements

**6411** Measurement unit code

Code	Code name/description
<b>KGM</b>	kilogram
<b>LTR</b>	litre
<b>MTR</b>	metre
<b>PCE</b>	Piece (GS1 Temporary Code)

---

Applicable codes, sorted by data elements

**7077** Description format code

Code	Code name/description
<b>F</b>	Free-form Description of an item in free form text.

**Applicable Codes**

Applicable codes, sorted by data elements

**7143** Item type identification code

Code	Code name/description
<b>SA</b>	Supplier's article number Number assigned to an article by the supplier of that article.
<b>SRV</b>	GS1 Global Trade Item Number A unique number, up to 14-digits, assigned according to the numbering structure of the GS1 system. 'GS1' stands for the 'Global Standards One'.

No	Tag	Example
01	UNH	UNH+TS000002+ORDRSP:D:01B:UN'
02	BGM	BGM+231+3000917710+29'
03	DTM	DTM+137:20180814113244:204'
	SG1	
04	RFF	RFF+ON:128576'
05	DTM	DTM+171:20180813101850:204'
	SG3	
06	NAD	NAD+BY+3830018249996::9++TELEKOM SLOVENIJE, d.d.:X+Cigaletova ulica 15:X+Ljubljana++1000+SI'
	SG4	
07	RFF	RFF+VA:SI98511734'
	SG3	
08	NAD	NAD+SU+3834567000210::9++Dobavitelj d.o.o.:X+Dobaviteljeva ulica 20:X+Nova Gorica++5000+SI'
	SG4	
09	RFF	RFF+VA:SI12345678'
	SG3	
10	NAD	NAD+DP+3830018249965::9++Telekom Slovenije, d.d., Centralno skladišče:X+Litostrojska cesta 58 b:X+Ljubljana++1000+SI'
	SG6	
11	CTA	CTA+OC+:TS Centralno skladišče Litostrojska'
12	COM	COM+01 472 8219:TE'
	SG26	
13	LIN	LIN+1+5+8806000007501:SRV'
14	PIA	PIA+5+5330051:SA'
15	IMD	IMD+F++:::LED TV GORENJE 50AB0001:X'
16	QTY	QTY+21:2:PCE'
17	DTM	DTM+11:20210417:102'
18	MOA	MOA+203:1700.00'
	SG30	
19	PRI	PRI+AAA:850.00::INV:1:PCE'
	SG31	
20	RFF	RFF+ON:132001:1'
21	UNS	UNS+D'
22	UNT	UNT+22+TS000002'

No = Consecutive segment number