



Message Implementation Guideline

DESADV_TELEKOM_SLOVENIJE

based on

DESADV

Despatch advice message

EANCOM® 2002 S4

Version: v0
Variant: 1
Issue date: 3.6.2022
Author: ZZI d.o.o.

Message Structure.....	3
Branching Diagram	4
Segments	8
Applicable Codes	40
Sample Message.....	80

Message Structure Chart

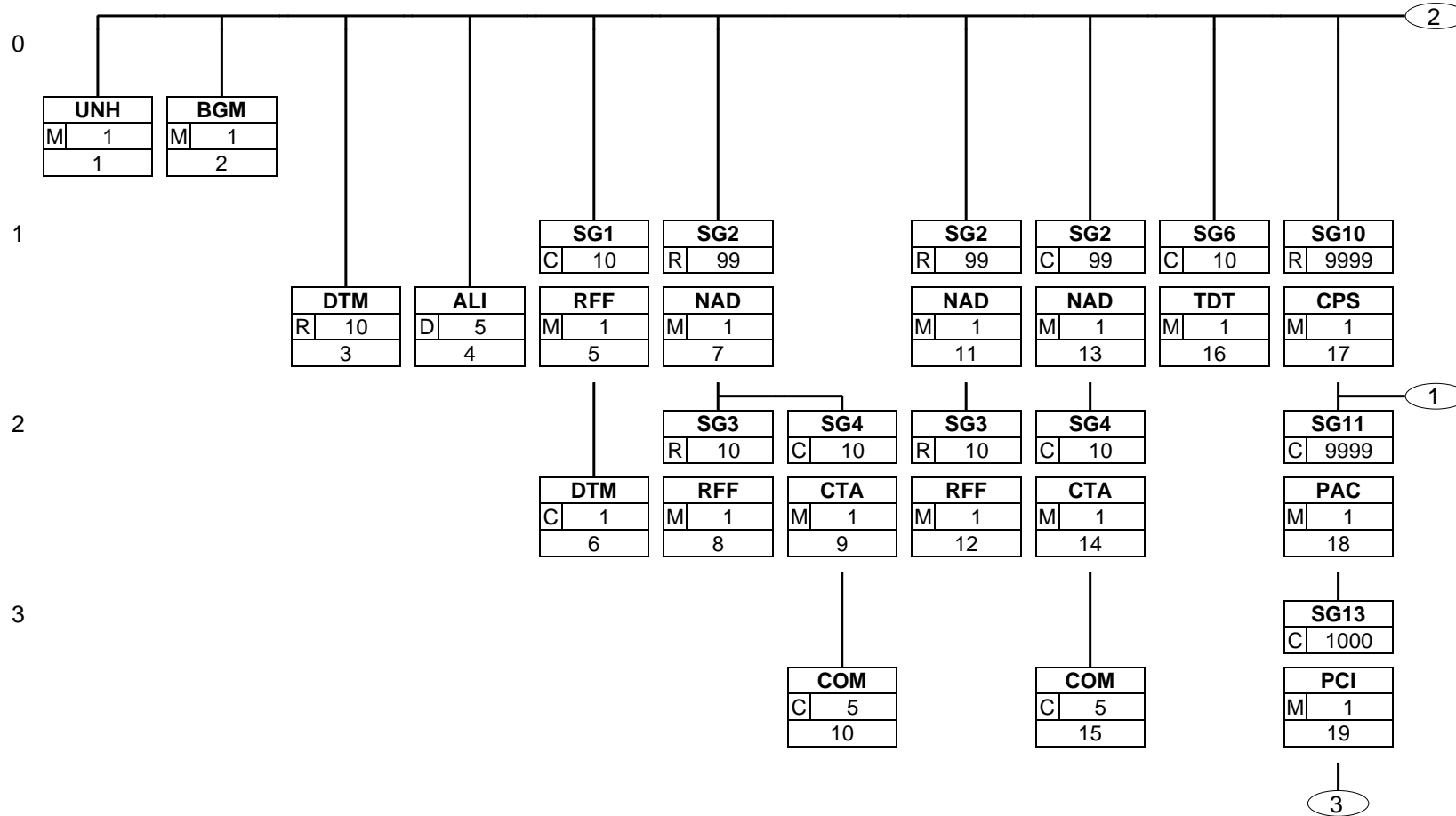
UNH	1	M	1	- Message header
BGM	2	M	1	- Beginning of message
DTM	3	R	10	- Date/time/period
ALI	4	D	5	- Additional information
SG1		C	10	- RFF-DTM
RFF	5	M	1	- Reference
DTM	6	C	1	- Date/time/period
SG2		R	99	- NAD-SG3-SG4
NAD	7	M	1	- Name and address
SG3		R	10	- RFF
RFF	8	M	1	- Reference
SG4		C	10	- CTA-COM
CTA	9	M	1	- Contact information
COM	10	C	5	- Communication contact
SG2		R	99	- NAD-SG3
NAD	11	M	1	- Name and address
SG3		R	10	- RFF
RFF	12	M	1	- Reference
SG2		C	99	- NAD-SG4
NAD	13	M	1	- Name and address
SG4		C	10	- CTA-COM
CTA	14	M	1	- Contact information
COM	15	C	5	- Communication contact
SG6		C	10	- TDT
TDT	16	M	1	- Details of transport
SG10		R	9999	- CPS-SG11-SG17
CPS	17	M	1	- Consignment packing sequence
SG11		C	9999	- PAC-SG13
PAC	18	M	1	- Package
SG13		C	1000	- PCI-RFF
PCI	19	M	1	- Package identification
RFF	20	C	1	- Reference
SG17		C	9999	- LIN-PIA-IMD-QTY-MOA-SG18-SG22
LIN	21	M	1	- Line item
PIA	22	C	10	- Additional product id
IMD	23	C	25	- Item description
QTY	24	C	10	- Quantity
MOA	25	C	5	- Monetary amount
SG18		C	99	- RFF
RFF	26	M	1	- Reference
SG22		C	9999	- PCI-SG23
PCI	27	M	1	- Package identification
SG23		C	10	- GIN
GIN	28	M	1	- Goods identity number
UNT	29	C	1	- Message trailer

St = Status

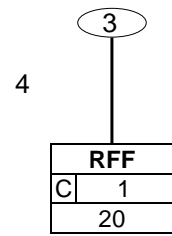
EDIFACT: M=Mandatory, C=Conditional

User specific: R=Required, O=Optional, D=Dependent, A=Advised, N=Not used, X=Not used

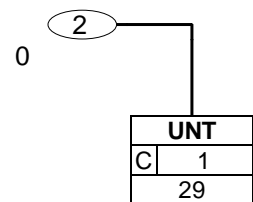
Branching Diagram



Status: M=Mandatory, C=Conditional, R=Required, O=Optional, D=Dependent, A=Advised, N=Not used, X=Not used



Status: M=Mandatory, C=Conditional, R=Required, O=Optional, D=Dependent, A=Advised, N=Not used, X=Not used



Status: M=Mandatory, C=Conditional, R=Required, O=Optional, D=Dependent, A=Advised, N=Not used, X=Not used

Segment number: 1

UNH - M 1 - Message header						
Function: To head, identify and specify a message.						
Notes: 1. Data element S009/0057 is retained for upward compatibility. The use of S016 and/or S017 is encouraged in preference. 2. The combination of the values carried in data elements 0062 and S009 shall be used to identify uniquely the message within its group (if used) or if not used, within its interchange, for the purpose of acknowledgement.						
EDIFACT			EAN			
Tag	Name	St/Format	St	*	Usage	Example
0062	Message reference number	M an..14	M		Sender's unique message reference. Sequence number of the messages in the interchange. DE 0062 in the UNT will be exactly the same. Sender generated. Numbers in ascending order without gaps.	TS000003
S009	MESSAGE IDENTIFIER	M	M			
0065	Message type	M an..6	M		DESADV = Despatch advice message	DESADV
0052	Message version number	M an..3	M		D = Draft version/UN/EDIFACT Directory	D
0054	Message release number	M an..3	M		01B = Release 2001 - B	01B
0051	Controlling agency, coded	M an..3	M		UN = UN/CEFACT	UN
Segment Notes: This segment is used to head, identify and specify a message. Example: UNH+TS000003+DESADV:D:01B:UN'						

* = Restricted Codes

St = Status
EDIFACT: M=Mandatory, C=Conditional
User specific: R=Required, O=Optional, D=Dependent,
A=Advised, N=Not used, X=Not used

Segment number: 2

BGM - M 1 - Beginning of message						
Function: To indicate the type and function of a message and to transmit the identifying number.						
EDIFACT			EAN			
Tag	Name	St/Format	St	*	Usage	Example
C002	DOCUMENT/MESSAGE NAME	C	R			
1001	Document name code	C an..3	R		351 = Despatch advice	351
C106	DOCUMENT/MESSAGE IDENTIFICATION	C	R			
1004	Document identifier	C an..70	R		Despatch Advice number assigned by document sender. It is recommended that the length of the document number be restricted to a maximum of 17 characters.	1000005528 1
1225	Message function code	C an..3	R		9 = Original	9
Segment Notes: This segment is used to indicate the type and function of the message and to transmit the identifying number. All references other than the document number DE 1004 are to be put in the RFF segment. Example: BGM+351+10000055281+9'						

* = Restricted Codes

St = Status
EDIFACT: M=Mandatory, C=Conditional
User specific: R=Required, O=Optional, D=Dependent,
A=Advised, N=Not used, X=Not used

Segment number: 3

DTM - R 10 - Date/time/period						
Function: To specify date, and/or time, or period.						
EDIFACT			EAN			
Tag	Name	St/Format	St	*	Usage	Example
C507	DATE/TIME/PERIOD	M	M			
2005	Date or time or period function code qualifier	M an..3	M		11 = Despatch date and/or time 17 = Delivery date/time, estimated 137 = Document/message date/time Code values 137 and 11 are required.	137
2380	Date or time or period value	C an..35	R			2018091511 3000
2379	Date or time or period format code	C an..3	R		204 = CCYYMMDDHHMMSS 102 = CCYYMMDD	204
<p>Segment Notes:</p> <p>This segment is used to specify the date of the Despatch Advice or any dates related to the delivery of goods. DE 2005: Identification of the 'Document/message date/time' (code value 137) is mandatory in an EANCOM message. Example: DTM+137:20180915113000:204'</p>						

* = Restricted Codes

St = Status
EDIFACT: M=Mandatory, C=Conditional
User specific: R=Required, O=Optional, D=Dependent,
A=Advised, N=Not used, X=Not used

Segment number: 4

ALI - D 5 - Additional information						
Function: To indicate that special conditions due to the origin, customs preference, fiscal or commercial factors are applicable.						
EDIFACT			EAN			
Tag	Name	St/Format	St	*	Usage	Example
3239	Country of origin name code	C an..3	N		Not used	
9213	Duty regime type code	C an..3	N		Not used	
4183	Special condition code	C an..3	R		165 = Split shipment 164 = Shipment completes order Code 165 indicates split shipment. Subsequent shipment(s) will arrive for this order as it has been split over more than one shipment. Code 164 indicates shipment completes order. There will be no further shipments for this order as it is considered complete.	164
Segment Notes: This segment should be used in case of split shipment. Example: ALI+++164'						

* = Restricted Codes

St = Status
 EDIFACT: M=Mandatory, C=Conditional
 User specific: R=Required, O=Optional, D=Dependent,
 A=Advised, N=Not used, X=Not used

Segment number: 5

SG1	- C	10 - RFF-DTM	
RFF	- M	1 - Reference	
Function: To specify a reference.			
EDIFACT		EAN	
Tag	Name	St/Format	St * Usage Example
C506	REFERENCE	M	M
1153	Reference code qualifier	M an..4	M ON = Order number (buyer) ON is used as a reference to original ORDER.
1154	Reference identifier	C an..70	R CA3304428 101SI
Segment Notes: This segment is used to provide references that apply to the whole transaction. Example: RFF+ON:CA3304428101SI'			

* = Restricted Codes

St = Status
EDIFACT: M=Mandatory, C=Conditional
User specific: R=Required, O=Optional, D=Dependent,
A=Advised, N=Not used, X=Not used

Segment number: 6

SG1	- C	10 - RFF-DTM				
DTM	- C	1 - Date/time/period				
Function: To specify date, and/or time, or period.						
EDIFACT			EAN			
Tag	Name	St/Format	St	*	Usage	Example
C507	DATE/TIME/PERIOD	M	M			
2005	Date or time or period function code qualifier	M an..3	M		171 = Reference date/time	171
2380	Date or time or period value	C an..35	R			2018081310 1850
2379	Date or time or period format code	C an..3	R		204 = CCYYMMDDHHMMSS 102 = CCYYMMDD	204
Segment Notes: This segment is used to specify dates relating to the references given in the previous RFF segment. Example: DTM+171:20180813101850:204'						

* = Restricted Codes

St = Status
EDIFACT: M=Mandatory, C=Conditional
User specific: R=Required, O=Optional, D=Dependent,
A=Advised, N=Not used, X=Not used

Segment number: 7

SG2	- R	99 - NAD-SG3-SG4				
NAD	- M	1 - Name and address				
Function: To specify the name/address and their related function, either by C082 only and/or unstructured by C058 or structured by C080 thru 3207.						
EDIFACT			EAN			
Tag	Name	St/Format	St	*	Usage	Example
3035	Party function code qualifier	M an..3	M		BY = Buyer	BY
C082	PARTY IDENTIFICATION DETAILS	C	D		For identification of the party C082 must be used. Exceptions are only allowed for parties without GLN. For parties without GLN usage of SG3 is required.	
3039	Party identifier	M an..70	M		GLN - Format n13	3830018249 996
1131	Code list identification code	C an..17	N		Not used	
3055	Code list responsible agency code	C an..3	R		9 = GS1	9
C058	NAME AND ADDRESS	C	N			
3124	Name and address description	M an..35	N		Not used	
C080	PARTY NAME	C	C			
3036	Party name	M an..70	M			TELEKOM SLOVENIJE , d.d.
3036	Party name	C an..70	C			X
C059	STREET	C	C			
3042	Street and number or post office box identifier	M an..35	M			Cigaletova ulica 15
3042	Street and number or post office box identifier	C an..35	C			X
3164	City name	C an..35	C			Ljubljana
C819	COUNTRY SUB-ENTITY DETAILS	C	N			
3229	Country sub-entity name code	C an..9	N		Not used	
3251	Postal identification code	C an..17	C			1000
3207	Country name code	C an..3	C			SI
Segment Notes: This segment is used to identify the trading partners involved in the Order process. Identification of the buyer and						

* = Restricted Codes

St = Status
EDIFACT: M=Mandatory, C=Conditional
User specific: R=Required, O=Optional, D=Dependent,
A=Advised, N=Not used, X=Not used

Segment Details

Segment number: 7

supplier of goods and services is mandatory using DE's 3035 and C082.

Example: NAD+BY+3830018249996::9++TELEKOM SLOVENIJE, d.d.:X+Cigaletova ulica 15:X+Ljubljana++1000+SI'

* = Restricted Codes

St = Status

EDIFACT: M=Mandatory, C=Conditional

User specific: R=Required, O=Optional, D=Dependent,

A=Advised, N=Not used, X=Not used

Segment number: 8

SG2	- R	99 - NAD-SG3-SG4				
SG3	- R	10 - RFF				
RFF	- M	1 - Reference				
Function: To specify a reference.						
EDIFACT			EAN			
Tag	Name	St/Format	St	*	Usage	Example
C506	REFERENCE	M	M			
1153	Reference code qualifier	M an..4	M		VA = VAT registration number	VA
1154	Reference identifier	C an..70	R			SI98511734
<p>Segment Notes:</p> <p>This segment is used to specify reference numbers related to the party specified in the previous NAD segment. For Buyer(BY) and Supplier(SU) usage of VAT registration number(VA) is required. Usage of other codes should be mutually defined among trading partners.</p> <p>Example: RFF+VA:SI98511734'</p>						

* = Restricted Codes

St = Status
 EDIFACT: M=Mandatory, C=Conditional
 User specific: R=Required, O=Optional, D=Dependent,
 A=Advised, N=Not used, X=Not used

Segment number: 9

SG2	- R	99 - NAD-SG3-SG4				
SG4	- C	10 - CTA-COM				
CTA	- M	1 - Contact information				
Function: To identify a person or a department to whom communication should be directed.						
EDIFACT			EAN			
Tag	Name	St/Format	St	*	Usage	Example
3139	Contact function code	C an..3	R		OC = Order contact	OC
C056	DEPARTMENT OR EMPLOYEE DETAILS	C	C			
3413	Department or employee name code	C an..17	N		Not used	
3412	Department or employee name	C an..256	C			Ana Novak
Segment Notes: Example: CTA+OC+:Ana Novak'						

* = Restricted Codes

St = Status
EDIFACT: M=Mandatory, C=Conditional
User specific: R=Required, O=Optional, D=Dependent,
A=Advised, N=Not used, X=Not used

Segment number: 10

SG2	- R	99 - NAD-SG3-SG4				
SG4	- C	10 - CTA-COM				
COM	- C	5 - Communication contact				
Function: To identify a communication number of a department or a person to whom communication should be directed.						
EDIFACT			EAN			
Tag	Name	St/Format	St	*	Usage	Example
C076	COMMUNICATION CONTACT	M	M			
3148	Communication address identifier	M an..512	M			ana. novak@tele kom.si
3155	Communication address code qualifier	M an..4	M		EM = Electronic mail TE = Telephone	EM
Segment Notes: This segment identifies the communications number, and type of communications, for the person or department identified in the preceding CTA segment. Example: COM+ana.novak@telekom.si:EM'						

* = Restricted Codes

St = Status
EDIFACT: M=Mandatory, C=Conditional
User specific: R=Required, O=Optional, D=Dependent,
A=Advised, N=Not used, X=Not used

Segment number: 11

SG2	- R	99 - NAD-SG3				
NAD	- M	1 - Name and address				
Function:						
To specify the name/address and their related function, either by C082 only and/or unstructured by C058 or structured by C080 thru 3207.						
EDIFACT			EAN			
Tag	Name	St/Format	St	*	Usage	Example
3035	Party function code qualifier	M an..3	M		SU = Supplier	SU
C082	PARTY IDENTIFICATION DETAILS	C	D		For identification of the party C082 must be used. Exceptions are only allowed for parties without GLN. For parties without GLN usage of SG3 is required.	
3039	Party identifier	M an..70	M		GLN - Format n13	3834567000 210
1131	Code list identification code	C an..17	N		Not used	
3055	Code list responsible agency code	C an..3	R		9 = GS1	9
C058	NAME AND ADDRESS	C	N			
3124	Name and address description	M an..35	N		Not used	
C080	PARTY NAME	C	C			
3036	Party name	M an..70	M			Dobavitelj d.o.o.
3036	Party name	C an..70	C			X
C059	STREET	C	C			
3042	Street and number or post office box identifier	M an..35	M			Dobaviteljev a ulica 20
3042	Street and number or post office box identifier	C an..35	C			X
3164	City name	C an..35	C			Nova Gorica
C819	COUNTRY SUB-ENTITY DETAILS	C	N			
3229	Country sub-entity name code	C an..9	N		Not used	
3251	Postal identification code	C an..17	C			5000
3207	Country name code	C an..3	C			SI
Segment Notes:						
This segment is used to identify the trading partners involved in the Order process. Identification of the buyer and supplier of goods and services is mandatory using DE's 3035 and C082.						

* = Restricted Codes

St = Status
EDIFACT: M=Mandatory, C=Conditional
User specific: R=Required, O=Optional, D=Dependent,
A=Advised, N=Not used, X=Not used

Segment Details

Segment number: 11

Example: NAD+SU+3834567000210::9++Dobavitelj d.o.o.:X+Dobaviteljeva ulica 20:X+Nova Gorica++5000+SI'
--

* = Restricted Codes

St = Status

EDIFACT: M=Mandatory, C=Conditional

User specific: R=Required, O=Optional, D=Dependent,

A=Advised, N=Not used, X=Not used

Segment number: 12

SG2	- R	99 - NAD-SG3				
SG3	- R	10 - RFF				
RFF	- M	1 - Reference				
Function: To specify a reference.						
EDIFACT			EAN			
Tag	Name	St/Format	St	*	Usage	Example
C506	REFERENCE	M	M			
1153	Reference code qualifier	M an..4	M		VA = VAT registration number	VA
1154	Reference identifier	C an..70	R			SI12345678
<p>Segment Notes:</p> <p>This segment is used to specify reference numbers related to the party specified in the previous NAD segment. For Buyer(BY) and Supplier(SU) usage of VAT registration number(VA) is required. Usage of other codes should be mutually defined among trading partners.</p> <p>Example: RFF+VA:SI12345678'</p>						

* = Restricted Codes

St = Status
 EDIFACT: M=Mandatory, C=Conditional
 User specific: R=Required, O=Optional, D=Dependent,
 A=Advised, N=Not used, X=Not used

Segment number: 13

SG2	- C	99 - NAD-SG4				
NAD	- M	1 - Name and address				
Function:						
To specify the name/address and their related function, either by C082 only and/or unstructured by C058 or structured by C080 thru 3207.						
EDIFACT			EAN			
Tag	Name	St/Format	St	*	Usage	Example
3035	Party function code qualifier	M an..3	M		DP = Delivery party	DP
C082	PARTY IDENTIFICATION DETAILS	C	D		For identification of the party C082 must be used. Exceptions are only allowed for parties without GLN. For parties without GLN usage of SG3 is required.	
3039	Party identifier	M an..70	M		GLN - Format n13	3830018249 965
1131	Code list identification code	C an..17	N		Not used	
3055	Code list responsible agency code	C an..3	R		9 = GS1	9
C058	NAME AND ADDRESS	C	N			
3124	Name and address description	M an..35	N		Not used	
C080	PARTY NAME	C	C			
3036	Party name	M an..70	M			Telekom Slovenije, d.d., Centralno skladišče
3036	Party name	C an..70	C			X
C059	STREET	C	C			
3042	Street and number or post office box identifier	M an..35	M			Litostrojska cesta 58 b
3042	Street and number or post office box identifier	C an..35	C			X
3164	City name	C an..35	C			Ljubljana
C819	COUNTRY SUB-ENTITY DETAILS	C	N			
3229	Country sub-entity name code	C an..9	N		Not used	
3251	Postal identification code	C an..17	C			1000
3207	Country name code	C an..3	C			SI
Segment Notes:						

* = Restricted Codes

St = Status
EDIFACT: M=Mandatory, C=Conditional
User specific: R=Required, O=Optional, D=Dependent,
A=Advised, N=Not used, X=Not used

Segment Details

Segment number: 13

This segment is used to identify the trading partners involved in the Order process. Identification of the buyer and supplier of goods and services is mandatory using DE's 3035 and C082.

Example: NAD+DP+3830018249965::9++Telekom Slovenije, d.d., Centralno skladišče:X+Litostrojska cesta 58 b:X+Ljubljana++1000+SI'

* = Restricted Codes

St = Status

EDIFACT: M=Mandatory, C=Conditional

User specific: R=Required, O=Optional, D=Dependent,

A=Advised, N=Not used, X=Not used

Segment number: 14

SG2	- C	99 - NAD-SG4				
SG4	- C	10 - CTA-COM				
CTA	- M	1 - Contact information				
Function: To identify a person or a department to whom communication should be directed.						
EDIFACT			EAN			
Tag	Name	St/Format	St	*	Usage	Example
3139	Contact function code	C an..3	R		OC = Order contact	OC
C056	DEPARTMENT OR EMPLOYEE DETAILS	C	C			
3413	Department or employee name code	C an..17	N		Not used	
3412	Department or employee name	C an..256	C			TS Centralno skladišče Litostrojska
Segment Notes: Example: CTA+OC+:TS Centralno skladišče Litostrojska'						

* = Restricted Codes

St = Status
EDIFACT: M=Mandatory, C=Conditional
User specific: R=Required, O=Optional, D=Dependent,
A=Advised, N=Not used, X=Not used

Segment Details

Segment number: 15

SG2	- C	99 - NAD-SG4				
SG4	- C	10 - CTA-COM				
COM	- C	5 - Communication contact				
Function:						
To identify a communication number of a department or a person to whom communication should be directed.						
EDIFACT			EAN			
Tag	Name	St/Format	St	*	Usage	Example
C076	COMMUNICATION CONTACT	M	M			
3148	Communication address identifier	M an..512	M			01 472 8219
3155	Communication address code qualifier	M an..4	M		EM = Electronic mail TE = Telephone	TE
Segment Notes:						
This segment identifies the communications number, and type of communications, for the person or department identified in the preceding CTA segment.						
Example: COM+01 472 8219:TE'						

* = Restricted Codes

St = Status

EDIFACT: M=Mandatory, C=Conditional

User specific: R=Required, O=Optional, D=Dependent,

A=Advised, N=Not used, X=Not used

Segment number: 16

SG6	- C	10 - TDT				
TDT	- M	1 - Details of transport				
<p>Function:</p> <p>To specify the transport details such as mode of transport, means of transport, its conveyance reference number and the identification of the means of transport. The segment may be pointed to by the TPL segment.</p>						
EDIFACT			EAN			
Tag	Name	St/Format	St	*	Usage	Example
8051	Transport stage code qualifier	M an..3	M		20 = Main-carriage transport	20
8028	Means of transport journey identifier	C an..17	N		Not used	
C220	MODE OF TRANSPORT	C	N			
8067	Transport mode name code	C an..3	N		Not used	
C228	TRANSPORT MEANS	C	N			
8179	Transport means description code	C an..8	N		Not used	
C040	CARRIER	C	C			
3127	Carrier identifier	C an..17	C		GLN - Format n13 GLN of carrier/forwarding agency	3832300014 893
1131	Code list identification code	C an..17	N		Not used	
3055	Code list responsible agency code	C an..3	C		9 = GS1	9
3128	Carrier name	C an..35	C			Prevoznik d.o.o.
<p>Segment Notes:</p> <p>This segment is used to specify transport services used in the despatch advice. Dependency Notes: DE C228: DE 8179 and DE 8178 are only used when the type of transport must be specifically identified, that is, when a generic description such as road transport is unsuitable. Example: TDT+20++++3832300014893::9:Prevoznik d.o.o.'</p>						

* = Restricted Codes

St = Status
EDIFACT: M=Mandatory, C=Conditional
User specific: R=Required, O=Optional, D=Dependent,
A=Advised, N=Not used, X=Not used

Segment number: 17

SG10 - R 9999 - CPS-SG11-SG17						
CPS - M 1 - Consignment packing sequence						
Function: To identify the sequence in which physical packing is presented in the consignment, and optionally to identify the hierarchical relationship between packing layers.						
EDIFACT			EAN			
Tag	Name	St/Format	St	*	Usage	Example
7164	Hierarchical structure level identifier	M an..35	M		Sequential numbering recommended.	1
Segment Notes: This segment is used to identify the sequence in which packing of the consignment occurs. Please refer to the Structure of the Despatch Advice Message section in the introduction for details on the use of the CPS segment. To identify the sequence in which physical packing is presented in the consignment, and optionally to identify the hierarchical relationship between packing layers. Example: CPS+1'						

* = Restricted Codes

St = Status
EDIFACT: M=Mandatory, C=Conditional
User specific: R=Required, O=Optional, D=Dependent,
A=Advised, N=Not used, X=Not used

Segment Details

Segment number: 18

SG10	- R	9999 - CPS-SG11-SG17				
SG11	- C	9999 - PAC-SG13				
PAC	- M	1 - Package				
Function:						
To describe the number and type of packages/physical units.						
EDIFACT			EAN			
Tag	Name	St/Format	St	*	Usage	Example
7224	Package quantity	C n..8	C			1
C531	PACKAGING DETAILS	C	N			
7075	Packaging level code	C an..3	N		Not used	
C202	PACKAGE TYPE	C	C			
7065	Package type description code	C an..17	C		All codes of codelist 7065 may be used	CT
Segment Notes:						
This segment can be used to identify the total number of packages per hierarchical level identified in the CPS segment, in a shipment. The contents of each package is subsequently described in the following LIN segment. Please refer to the 'Structure of the Despatch Advice Message' section in the introduction for details on the use of the PAC segment.						
Example: PAC+1++CT'						

* = Restricted Codes

St = Status

EDIFACT: M=Mandatory, C=Conditional

User specific: R=Required, O=Optional, D=Dependent,

A=Advised, N=Not used, X=Not used

Segment number: 19

SG10	- R	9999 - CPS-SG11-SG17				
SG11	- C	9999 - PAC-SG13				
SG13	- C	1000 - PCI-RFF				
PCI	- M	1 - Package identification				
Function: To specify markings and labels on individual packages or physical units.						
EDIFACT			EAN			
Tag	Name	St/Format	St	*	Usage	Example
4233	Marking instructions code	C an..3	C		33E = Marked with serial shipping container code (GS1 Temporary Code)	33E
Segment Notes: This segment is used to provide markings and labels information relevant to the packaging unit and level identified in the PAC segment. Example: PCI+33E'						

* = Restricted Codes

St = Status
EDIFACT: M=Mandatory, C=Conditional
User specific: R=Required, O=Optional, D=Dependent,
A=Advised, N=Not used, X=Not used

Segment number: 20

SG10	- R	9999 - CPS-SG11-SG17				
SG11	- C	9999 - PAC-SG13				
SG13	- C	1000 - PCI-RFF				
RFF	- C	1 - Reference				
Function: To specify a reference.						
EDIFACT			EAN			
Tag	Name	St/Format	St	*	Usage	Example
C506	REFERENCE	M	M			
1153	Reference code qualifier	M an..4	M		CN = Carrier's reference number	CN
1154	Reference identifier	C an..70	R			3761234500 11590001
Segment Notes: This segment is used to specify any references which relate to the package identification, e.g., master label number. Example: RFF+CN:376123450011590001'						

* = Restricted Codes

St = Status
EDIFACT: M=Mandatory, C=Conditional
User specific: R=Required, O=Optional, D=Dependent,
A=Advised, N=Not used, X=Not used

Segment number: 21

SG10	- R	9999 - CPS-SG11-SG17	
SG17	- C	9999 - LIN-PIA-IMD-QTY-MOA-SG18-SG22	
LIN	- M	1 - Line item	
Function: To identify a line item and configuration.			
EDIFACT		EAN	
Tag	Name	St/Format	St * Usage Example
1082	Line item identifier	C an..6	R Application generated number of the item lines within the Despatch Advice. Numbers in ascending order without gaps starting with 1. 1
1229	Action request/notification description code	C an..3	N Not used
C212	ITEM NUMBER IDENTIFICATION	C	C
7140	Item identifier	C an..35	C Format n..14 GTIN - this is the number of the article being ordered. If GTIN is not used then C212 is not used. 8806000007501
7143	Item type identification code	C an..4	C SRV = GS1 Global Trade Item Number SRV
Segment Notes: This segment is used to identify the line item being despatched. Usage of LIN(SG17) is required for lowest CPS level. Example: LIN+1++8806000007501:SRV'			

* = Restricted Codes

St = Status
EDIFACT: M=Mandatory, C=Conditional
User specific: R=Required, O=Optional, D=Dependent,
A=Advised, N=Not used, X=Not used

Segment number: 22

SG10	- R	9999 - CPS-SG11-SG17
SG17	- C	9999 - LIN-PIA-IMD-QTY-MOA-SG18-SG22
PIA	- C	10 - Additional product id

Function:

To specify additional or substitutional item identification codes.

EDIFACT			EAN			
Tag	Name	St/Format	St	*	Usage	Example
4347	Product identifier code qualifier	M an..3	M		1 = Additional identification 5 = Product identification Product Id function coded has the following restricted coded functions: 1 - Additional Identification - To provide an additional identity for the product identified in the LIN segment. The additional identification can consist of : A supplemental identification which provides more information complementary to the main trade item number provided in the LIN segment, e.g., a batch number, promotional variant number, product group number, etc. An alternative identification which may be used where no main trade item number has been provided in the LIN segment, e.g., a buyers article number, an HIBC code, etc. 5 - Product Identification - To provide the primary product identification code when no GTIN has been provided in the LIN segment. GTIN should not be used in conjunction with this code value. It should be noted that when this code is used the product code specified here is the code which should be used for invoicing purposes.	5
C212	ITEM NUMBER IDENTIFICATION	M	M			
7140	Item identifier	C an..35	C			5330051
7143	Item type identification code	C an..4	C		SA = Supplier's article number	SA

Segment Notes:

This segment is used to identify additional product codes for the current line item.

Example: PIA+5+5330051:SA'

* = Restricted Codes

St = Status

EDIFACT: M=Mandatory, C=Conditional

User specific: R=Required, O=Optional, D=Dependent,

A=Advised, N=Not used, X=Not used

Segment number: 23

SG10	- R	9999 - CPS-SG11-SG17				
SG17	- C	9999 - LIN-PIA-IMD-QTY-MOA-SG18-SG22				
IMD	- C	25 - Item description				
Function: To describe an item in either an industry or free format.						
EDIFACT			EAN			
Tag	Name	St/Format	St	*	Usage	Example
7077	Description format code	C an..3	R		F = Free-form	F
C272	ITEM CHARACTERISTIC	C	N			
7081	Item characteristic code	C an..3	N		Not used	
C273	ITEM DESCRIPTION	C	R			
7009	Item description code	C an..17	N		Not used	
1131	Code list identification code	C an..17	N		Not used	
3055	Code list responsible agency code	C an..3	N		Not used	
7008	Item description	C an..256	R			LED TV GORENJE 50AB0001
7008	Item description	C an..256	C			X
<p>Segment Notes:</p> <p>This segment is used to describe the current line item. It is recommended that this segment only be used for coded descriptions. Data element 7008 in clear text should only be used when no product code is available or when free-form descriptions are required by trading partners.</p> <p>Example: IMD+F++:::LED TV GORENJE 50AB0001:X'</p>						

* = Restricted Codes

St = Status
EDIFACT: M=Mandatory, C=Conditional
User specific: R=Required, O=Optional, D=Dependent,
A=Advised, N=Not used, X=Not used

Segment number: 24

SG10	- R	9999 - CPS-SG11-SG17			
SG17	- C	9999 - LIN-PIA-IMD-QTY-MOA-SG18-SG22			
QTY	- C	10 - Quantity			
Function: To specify a pertinent quantity.					
EDIFACT		EAN			
Tag	Name	St/Format	St * Usage	Example	
C186	QUANTITY DETAILS	M	M		
6063	Quantity type code qualifier	M an..3	M	12 = Despatch quantity 21 = Ordered quantity Use of Code 12 is mandatory.	21
6060	Quantity	M an..35	M		2
6411	Measurement unit code	C an..8	D	KGM = kilogram LTR = litre MTR = metre PCE = Piece (GS1 Temporary Code) Measurement unit code (See EANCOM DE 6411 Codes Set)	PCE
Segment Notes: This segment is used to specify the quantity of the product identified in the LIN segment which is about to be, or, has been despatched. Example: QTY+21:2:PCE'					

* = Restricted Codes

St = Status
EDIFACT: M=Mandatory, C=Conditional
User specific: R=Required, O=Optional, D=Dependent,
A=Advised, N=Not used, X=Not used

Segment number: 25

SG10	- R	9999 - CPS-SG11-SG17				
SG17	- C	9999 - LIN-PIA-IMD-QTY-MOA-SG18-SG22				
MOA	- C	5 - Monetary amount				
Function: To specify a monetary amount.						
EDIFACT			EAN			
Tag	Name	St/Format	St	*	Usage	Example
C516	MONETARY AMOUNT	M	M			
5025	Monetary amount type code qualifier	M an..3	M		203 = Line item amount 146 = Unit price	203
5004	Monetary amount	C n..35	R			1700.00
Segment Notes: Example: MOA+203:1700.00'						

* = Restricted Codes

St = Status
EDIFACT: M=Mandatory, C=Conditional
User specific: R=Required, O=Optional, D=Dependent,
A=Advised, N=Not used, X=Not used

Segment Details

Segment number: 26

SG10	- R	9999 - CPS-SG11-SG17				
SG17	- C	9999 - LIN-PIA-IMD-QTY-MOA-SG18-SG22				
SG18	- C	99 - RFF				
RFF	- M	1 - Reference				
Function: To specify a reference.						
EDIFACT			EAN			
Tag	Name	St/Format	St	*	Usage	Example
C506	REFERENCE	M	M			
1153	Reference code qualifier	M an..4	M		ON = Order number (buyer)	ON
1154	Reference identifier	C an..70	C			128576
1156	Document line identifier	C an..6	C			1
Segment Notes: This segment is used to specify any references which are for the line item only. Example: RFF+ON:128576:1'						

* = Restricted Codes

St = Status

EDIFACT: M=Mandatory, C=Conditional

User specific: R=Required, O=Optional, D=Dependent,

A=Advised, N=Not used, X=Not used

Segment number: 27

SG10	- R	9999 - CPS-SG11-SG17	
SG17	- C	9999 - LIN-PIA-IMD-QTY-MOA-SG18-SG22	
SG22	- C	9999 - PCI-SG23	
PCI	- M	1 - Package identification	
Function: To specify markings and labels on individual packages or physical units.			
EDIFACT		EAN	
Tag	Name	St/Format	St * Usage
4233	Marking instructions code	C an..3	C 17 = Supplier's instructions
Segment Notes: This segment is used to provide markings and labels information relevant to the product identified in the LIN segment. If the date is machine readable, the DTM segment below should be used. If the date is human readable DE 7102 in this segment should be used. Example: PCI+17'			

* = Restricted Codes

St = Status
 EDIFACT: M=Mandatory, C=Conditional
 User specific: R=Required, O=Optional, D=Dependent,
 A=Advised, N=Not used, X=Not used

Segment number: 28

SG10	- R	9999 - CPS-SG11-SG17
SG17	- C	9999 - LIN-PIA-IMD-QTY-MOA-SG18-SG22
SG22	- C	9999 - PCI-SG23
SG23	- C	10 - GIN
GIN	- M	1 - Goods identity number

Function:

To give specific identification numbers, either as single numbers or ranges.

EDIFACT			EAN			
Tag	Name	St/Format	St	*	Usage	Example
7405	Object identification code qualifier	M an..3	M		BN = Serial number	BN
C208	IDENTITY NUMBER RANGE	M	M			
7402	Object identifier	M an..35	M			SER1032

Segment Notes:

This segment is used to provide identification numbers relevant to the packaging of the current line item.

Example: GIN+BN+SER1032'

* = Restricted Codes

St = Status

EDIFACT: M=Mandatory, C=Conditional

User specific: R=Required, O=Optional, D=Dependent,

A=Advised, N=Not used, X=Not used

Segment number: 29

UNT - C 1 - Message trailer						
Function: To end and check the completeness of a message.						
Notes: 1. 0062, the value shall be identical to the value in 0062 in the corresponding UNH segment.						
EDIFACT			EAN			
Tag	Name	St/Format	St	*	Usage	Example
0074	Number of segments in a message	M n..10	M			29
0062	Message reference number	M an..14	M			TS000003
Segment Notes: Example: UNT+29+TS000003'						

* = Restricted Codes

St = Status
EDIFACT: M=Mandatory, C=Conditional
User specific: R=Required, O=Optional, D=Dependent,
A=Advised, N=Not used, X=Not used

Applicable codes, sorted by data elements

0051 Controlling agency, coded

Code	Code name/description
UN	UN/CEFACT United Nations Centre for Trade Facilitation and Electronic Business (UN/CEFACT).

Applicable codes, sorted by data elements

0052 Message version number

Code	Code name/description
D	Draft version/UN/EDIFACT Directory Message approved and issued as a draft message (Valid for directories published after March 1993 and prior to March 1997). Message approved as a standard message (Valid for directories published after March 1997).

Applicable codes, sorted by data elements

0054 Message release number

Code	Code name/description
01B	Release 2001 - B Message approved and issued in the second 2001 release of the UNTDID (United Nations Trade Data Interchange Directory).

Applicable codes, sorted by data elements

0065 Message type

Code	Code name/description
DESADV	Despatch advice message A code to identify the despatch advice message.

Applicable codes, sorted by data elements

1001 Document name code

Code	Code name/description
351	Despatch advice Document/message by means of which the seller or consignor informs the consignee about the despatch of goods.

Applicable codes, sorted by data elements

1153 Reference code qualifier

Code	Code name/description
CN	Carrier's reference number Reference number assigned by carrier to a consignment.
ON	Order number (buyer) [1022] Reference number assigned by the buyer to an order.
VA	VAT registration number Unique number assigned by the relevant tax authority to identify a party for use in relation to Value Added Tax (VAT).

Applicable codes, sorted by data elements

1225 Message function code

Code	Code name/description
9	Original Initial transmission related to a given transaction.

Applicable Codes

Applicable codes, sorted by data elements

2005 Date or time or period function code qualifier

Code	Code name/description
11	Despatch date and/or time (2170) Date/time on which the goods are or are expected to be despatched or shipped.
17	Delivery date/time, estimated Date and/or time when the shipper of the goods expects delivery will take place.
137	Document/message date/time (2006) Date/time when a document/message is issued. This may include authentication.
171	Reference date/time Date/time on which the reference was issued.

Applicable codes, sorted by data elements

2379 Date or time or period format code

Code	Code name/description
102	CCYYMMDD Calendar date: C = Century ; Y = Year ; M = Month ; D = Day.
204	CCYYMMDDHHMMSS Calendar date including time with seconds: C=Century;Y=Year; M=Month;D=Day;H=Hour; M=Minute;S=Second.

Applicable codes, sorted by data elements

3035 Party function code qualifier

Code	Code name/description
BY	Buyer Party to whom merchandise and/or service is sold.
DP	Delivery party (3144) Party to which goods should be delivered, if not identical with consignee.
SU	Supplier Party who supplies goods and/or services.

Applicable Codes

Applicable codes, sorted by data elements

3055 Code list responsible agency code

Code	Code name/description
9	GS1 GS1 (formerly EAN International), an organisation of GS1 Member Organisations, which manages the GS1 System.

Applicable codes, sorted by data elements

3139 Contact function code

Code	Code name/description
OC	Order contact An individual to contact for questions regarding this order.

Applicable Codes

Applicable codes, sorted by data elements

3155 Communication address code qualifier

Code	Code name/description
EM	Electronic mail Exchange of mail by electronic means.
TE	Telephone Voice/data transmission by telephone.

Applicable Codes

Applicable codes, sorted by data elements

3207 Country name code

Code	Code name/description
AD	ANDORRA
AE	UNITED ARAB EMIRATES
AF	AFGHANISTAN
AG	ANTIGUA AND BARBUDA
AI	ANGUILLA
AL	ALBANIA
AM	ARMENIA
AN	NETHERLANDS ANTILLES
AO	ANGOLA
AQ	ANTARCTICA
AR	ARGENTINA
AS	AMERICAN SAMOA
AT	AUSTRIA
AU	AUSTRALIA
AW	ARUBA
AZ	AZERBAIJAN
BA	BOSNIA AND HERZEGOVINA
BB	BARBADOS
BD	BANGLADESH
BE	BELGIUM
BF	BURKINA FASO
BG	BULGARIA
BH	BAHRAIN
BI	BURUNDI
BJ	BENIN
BM	BERMUDA
BN	BRUNEI DARUSSALAM
BO	BOLIVIA
BR	BRAZIL

Applicable Codes

Applicable codes, sorted by data elements

BS	BAHAMAS
BT	BHUTAN
BV	BOUVET ISLAND
BW	BOTSWANA
BY	BELARUS
BZ	BELIZE
CA	CANADA
CC	COCOS (KEELING) ISLANDS
CD	CONGO, THE DEMOCRATIC REPUBLIC OF THE
CF	CENTRAL AFRICAN REPUBLIC
CG	CONGO
CH	SWITZERLAND
CI	COTE D'IVOIRE
CK	COOK ISLANDS
CL	CHILE
CM	CAMEROON
CN	CHINA
CO	COLOMBIA
CR	COSTA RICA
CU	CUBA
CV	CAPE VERDE
CX	CHRISTMAS ISLAND
CY	CYPRUS
CZ	CZECH REPUBLIC
DE	GERMANY
DJ	DJIBOUTI
DK	DENMARK
DM	DOMINICA
DO	DOMINICAN REPUBLIC
DZ	ALGERIA
EC	ECUADOR
EE	ESTONIA

Applicable Codes

Applicable codes, sorted by data elements

EG	EGYPT
EH	WESTERN SAHARA
ER	ERITREA
ES	SPAIN
ET	ETHIOPIA
FI	FINLAND
FJ	FIJI
FK	FALKLAND ISLANDS (MALVINAS)
FM	MICRONESIA, FEDERATED STATES OF
FO	FAROE ISLANDS
FR	FRANCE
GA	GABON
GB	UNITED KINGDOM
GD	GRENADA
GE	GEORGIA
GF	FRENCH GUIANA
GH	GHANA
GI	GIBRALTAR
GL	GREENLAND
GM	GAMBIA
GN	GUINEA
GP	GUADELOUPE
GQ	EQUATORIAL GUINEA
GR	GREECE
GS	SOUTH GEORGIA AND THE SOUTH SANDWICH ISLANDS
GT	GUATEMALA
GU	GUAM
GW	GUINEA-BISSAU
GY	GUYANA
HK	HONG KONG
HM	HEARD ISLAND AND MCDONALD ISLANDS
HN	HONDURAS

Applicable Codes

Applicable codes, sorted by data elements

HR	CROATIA
HT	HAITI
HU	HUNGARY
ID	INDONESIA
IE	IRELAND
IL	ISRAEL
IN	INDIA
IO	BRITISH INDIAN OCEAN TERRITORY
IQ	IRAQ
IR	IRAN, ISLAMIC REPUBLIC OF
IS	ICELAND
IT	ITALY
JM	JAMAICA
JO	JORDAN
JP	JAPAN
KE	KENYA
KG	KYRGYZSTAN
KH	CAMBODIA
KI	KIRIBATI
KM	COMOROS
KN	SAINT KITTS AND NEVIS
KP	KOREA, DEMOCRATIC PEOPLE'S REPUBLIC OF
KR	KOREA, REPUBLIC OF
KW	KUWAIT
KY	CAYMAN ISLANDS
KZ	KAZAKSTAN
LA	LAO PEOPLE'S DEMOCRATIC REPUBLIC
LB	LEBANON
LC	SAINT LUCIA
LI	LIECHTENSTEIN
LK	SRI LANKA
LR	LIBERIA

Applicable Codes

Applicable codes, sorted by data elements

LS	LESOTHO
LT	LITHUANIA
LU	LUXEMBOURG
LV	LATVIA
LY	LIBYAN ARAB JAMAHIRIYA
MA	MOROCCO
MC	MONACO
MD	MOLDOVA, REPUBLIC OF
MG	MADAGASCAR
MH	MARSHALL ISLANDS
MK	MACEDONIA, THE FORMER YUGOSLAV REPUBLIC OF
ML	MALI
MM	MYANMAR
MN	MONGOLIA
MO	MACAU
MP	NORTHERN MARIANA ISLANDS
MQ	MARTINIQUE
MR	MAURITANIA
MS	MONTSERRAT
MT	MALTA
MU	MAURITIUS
MV	MALDIVES
MW	MALAWI
MX	MEXICO
MY	MALAYSIA
MZ	MOZAMBIQUE
NA	NAMIBIA
NC	NEW CALEDONIA
NE	NIGER
NF	NORFOLK ISLAND
NG	NIGERIA
NI	NICARAGUA

Applicable Codes

Applicable codes, sorted by data elements

NL	NETHERLANDS
NO	NORWAY
NP	NEPAL
NR	NAURU
NU	NIUE
NZ	NEW ZEALAND
OM	OMAN
PA	PANAMA
PE	PERU
PF	FRENCH POLYNESIA
PG	PAPUA NEW GUINEA
PH	PHILIPPINES
PK	PAKISTAN
PL	POLAND
PM	SAINT PIERRE AND MIQUELON
PN	PITCAIRN
PR	PUERTO RICO
PS	PALESTINIAN TERRITORY, OCCUPIED
PT	PORTUGAL
PW	PALAU
PY	PARAGUAY
QA	QATAR
RE	REUNION
RO	ROMANIA
RS	SERBIA
RU	RUSSIAN FEDERATION
RW	RWANDA
SA	SAUDI ARABIA
SB	SOLOMON ISLANDS
SC	SEYCHELLES
SD	SUDAN
SE	SWEDEN

Applicable Codes

Applicable codes, sorted by data elements

SG	SINGAPORE
SH	SAINT HELENA
SI	SLOVENIA
SJ	SVALBARD AND JAN MAYEN
SK	SLOVAKIA
SL	SIERRA LEONE
SM	SAN MARINO
SN	SENEGAL
SO	SOMALIA
SR	SURINAME
ST	SAO TOME AND PRINCIPE
SV	EL SALVADOR
SY	SYRIAN ARAB REPUBLIC
SZ	SWAZILAND
TC	TURKS AND CAICOS ISLANDS
TD	CHAD
TF	FRENCH SOUTHERN TERRITORIES
TG	TOGO
TH	THAILAND
TJ	TAJIKISTAN
TK	TOKELAU
TM	TURKMENISTAN
TN	TUNISIA
TO	TONGA
TP	EAST TIMOR
TR	TURKEY
TT	TRINIDAD AND TOBAGO
TV	TUVALU
TW	TAIWAN, PROVINCE OF CHINA
TZ	TANZANIA, UNITED REPUBLIC OF
UA	UKRAINE
UG	UGANDA

Applicable Codes

Applicable codes, sorted by data elements

UM	UNITED STATES MINOR OUTLYING ISLANDS
US	UNITED STATES
UY	URUGUAY
UZ	UZBEKISTAN
VA	HOLY SEE (VATICAN CITY STATE)
VC	SAINT VINCENT AND THE GRENADINES
VE	VENEZUELA
VG	VIRGIN ISLANDS, BRITISH
VI	VIRGIN ISLANDS, U.S.
VN	VIET NAM
VU	VANUATU
WF	WALLIS AND FUTUNA
WS	SAMOA
YE	YEMEN
YT	MAYOTTE
YU	YUGOSLAVIA
ZA	SOUTH AFRICA
ZM	ZAMBIA
ZW	ZIMBABWE

Applicable Codes

Applicable codes, sorted by data elements

4183 Special condition code

Code	Code name/description
164	Shipment completes order There will be no further shipments for this order as it is considered complete.
165	Split shipment Subsequent shipment(s) will arrive for this order as it has been split over more than one shipment.

Applicable Codes

Applicable codes, sorted by data elements

4233 Marking instructions code

Code	Code name/description
17	Supplier's instructions Markings as specified by the seller.
33E	Marked with serial shipping container code (GS1 Temporary Code) Indication that the serial shipping container code has been marked on a package.

Applicable codes, sorted by data elements

4347 Product identifier code qualifier

Code	Code name/description
1	Additional identification Information which specifies and qualifies product identifications.
5	Product identification The item number is for product identification.

Applicable Codes

Applicable codes, sorted by data elements

5025 Monetary amount type code qualifier

Code	Code name/description
146	Unit price (5110) Reporting monetary amount is a "per unit" amount.
203	Line item amount Goods item total minus allowances plus charges for line item. See also Code 66.

Applicable codes, sorted by data elements

6063 Quantity type code qualifier

Code	Code name/description
12	Despatch quantity Quantity despatched by the seller.
21	Ordered quantity The quantity which has been ordered.

Applicable codes, sorted by data elements

6411 Measurement unit code

Code	Code name/description
KGM	kilogram
LTR	litre
MTR	metre
PCE	Piece (GS1 Temporary Code)

Applicable Codes

Applicable codes, sorted by data elements

7065 Package type description code

Code	Code name/description
08	Oneway pallet (GS1 Temporary Code) Pallet need not be returned to the point of expedition.
09	Returnable pallet (GS1 Temporary Code) Pallet must be returned to the point of expedition.
200	Pallet ISO 0 - 1/2 EURO Pallet (GS1 Temporary Code) Standard pallet with dimensions 80 X 60 cm.
201	Pallet ISO 1 - 1/1 EURO Pallet (GS1 Temporary Code) Standard pallet with dimensions 80 X 120 cm.
202	Pallet ISO 2 (GS1 Temporary Code) Standard pallet with dimensions 100 X 120 cm.
203	1/4 EURO Pallet (GS1 Temporary Code) Standard pallet with dimensions 60 X 40 cm.
204	1/8 EURO Pallet (GS1 Temporary Code) Standard pallet with dimensions 40 X 30 cm.
205	Synthetic pallet ISO 1 (GS1 Temporary Code) A standard pallet with standard dimensions 80*120cm made of a synthetic material for hygienic reasons.
206	Synthetic pallet ISO 2 (GS1 Temporary Code) A standard pallet with standard dimensions 100*120cm made of a synthetic material for hygienic reasons.
210	Wholesaler pallet (GS1 Temporary Code) Pallet provided by the wholesaler.
211	Pallet 80 X 100 cm (GS1 Temporary Code) Pallet with dimensions 80 X 100 cm.
212	Pallet 60 X 100 cm (GS1 Temporary Code) Pallet with dimensions 60 X 100 cm.
5L	Bag, textile
5M	Bag, paper
AE	Aerosol A spray can dispensing paint, furniture polish, etc, under pressure.
AH	Pallet 100cms * 110cms Standard sized pallet of dimensions 100centimeters by 110 centimeters (cms).
AI	Clamshell
APE	Aluminium packed (GS1 Temporary Code) Packaging using thin sheets of aluminium.
AT	Atomizer A device to shoot out a fine spray, e.g. medicine, perfume, etc.

Applicable Codes

Applicable codes, sorted by data elements

BA	Barrel A wooden or plastic container with slightly bulging sides and flat ends.
BC	Bottlecrate, bottlerack A container for the storage or movement of bottles.
BE	Bundle A number of items grouped loosely together in a package by means of tying.
BG	Bag A non-rigid container made of fabric, paper, plastic, etc, with an opening at the top which can be closed.
BGE	Large bag, pallet sized (GS1 Temporary Code) A non-rigid container made of fabric, paper, plastic, etc, with an opening at the top which can be closed and which is suitable for use on pallets.
BJ	Bucket A container with a handle, used for carrying water, mayonnaise, etc.
BL	Bale, compressed A large bundle, as of cotton, hay, straw, etc, which is compressed and bound.
BM	Basin
BME	Blister pack (GS1 Temporary Code) A transparent strip package of pressable plastic which allows the product to be displayed while remaining protected.
BN	Bale, non-compressed A large bundle, as of cotton, hay, straw, etc, which is not compressed or bound.
BO	Bottle, non-protected, cylindrical A non-protected cylindrical container with a narrow neck made usually of glass or plastic which is especially used for liquids.
BR	Bar An oblong package, usually used for soap.
BRI	Brick (GS1 Temporary Code) A box made of a cardboard, plastic or metal, used for liquids.
BS	Bottle, non-protected, bulbous A non-protected cylindrical container with a bulbous base and a narrow neck made usually of glass or plastic which is especially used for liquids.
BU	Butt A large barrel or cask which is usually used to store or move liquids.
BX	Box A lidded package which can be made of cardboard, wood, plastic, tin, etc.
CA	Can, rectangular A rectangular container which is usually made of metal and has a separate cover.
CBL	Container bottle like (GS1 Temporary Code) A non-protected, non-cylindrical, container with a narrow neck made usually of glass or plastic which is especially used for liquids, e.g. perfume bottle.
CCE	Cardboard carrier (GS1 Temporary Code)

Applicable Codes

Applicable codes, sorted by data elements

	A package made of cardboard.
CD	Can, with handle and spout
CG	Cage A cage without wheels.
CM	Card A flat package usually made of fibreboard from/to which the product is often hung or attached.
CMS	Clamshell (GS1 Temporary Code) A package with a base and top that are hinged together. E.g. video cassette case.
CN	Container, not otherwise specified as transport equipment
CR	Crate A packaging case which is usually made of wooden slats.
CS	Case A package such as a box.
CT	Carton A cardboard box or container.
CU	Cup A small bowl shaped container for beverages, often with a handle.
CW	Cage, roll
CX	Can, cylindrical A cylindrical container which is usually made of metal and has a separate cover.
CY	Cylinder A cylindrical container, which is usually made of cardboard and may have a separate cover.
D99	Sleeve A non-rigid container made of paper, cardboard or plastic that is open-ended and is slid over the contents for protection or presentation.
DA	Crate, multiple layer, plastic
DB	Crate, multiple layer, wooden
DC	Crate, multiple layer, cardboard
DG	Cage, Commonwealth Handling Equipment Pool (CHEP)
DH	Box, Commonwealth Handling Equipment Pool (CHEP), Eurobox
DJ	Demijohn, non-protected A large bulbous container made of glass with a narrow neck, which is especially used with liquids (oil, wine).
DK	Crate, bulk, cardboard
DL	Crate, bulk, plastic
DM	Crate, bulk, wooden
DN	Dispenser
DP	Demijohn, protected

Applicable Codes

Applicable codes, sorted by data elements

	A large bulbous protected container made of glass with a narrow neck, which is especially used with liquids (oil, wine).
DPE	Display package (GS1 Temporary Code) A package used for the display of goods, usually during a promotion.
DR	Drum A cylindrical container usually used for the storage and movement of oil.
DS	Tray, one layer no cover, plastic
DT	Tray, one layer no cover, wooden
DU	Tray, one layer no cover, polystyrene
DV	Tray, one layer no cover, cardboard
DW	Tray, two layers no cover, plastic tray
DX	Tray, two layers no cover, wooden
DY	Tray, two layers no cover, cardboard
EC	Bag, plastic
ED	Case, with pallet base
EE	Case, with pallet base, wooden
EF	Case, with pallet base, cardboard
EG	Case, with pallet base, plastic
EH	Case, with pallet base, metal
EI	Case, isothermic
EN	Envelope A non-rigid container, made of paper or plastic, that can be opened with a tear or a cut.
FOB	Folding box (GS1 Temporary Code) Folded cardboard box e.g for products like frozen vegetables, paper clips
FP	Filmpack Packaging using a clear thin plastic.
FPE	Foil packed (GS1 Temporary Code) Packaging using a metallic foil.
FT	Foodtainer
GB	Bottle, gas
HA	Basket, with handle, plastic
HB	Basket, with handle, wooden
HC	Basket, with handle, cardboard
HR	Hamper A large basket usually with a cover which is used to store different types of foodstuffs.
IA	Package, display, wooden

Applicable Codes

Applicable codes, sorted by data elements

IB	Package, display, cardboard
IC	Package, display, plastic
ID	Package, display, metal
IE	Package, show
IF	Package, flow
JC	Jerrican, rectangular A rigid rectangular container with a lid which is usually used for the storage and movement of oil, gasoline, etc.
JG	Jug A container used for storing and pouring the goods.
JR	Jar
JT	Jutebag A bag made of strong fibres.
JY	Jerrican, cylindrical A rigid cylindrical container with a lid which is usually used for the storage and movement of oil, gasoline, etc.
LAB	Labeled package (GS1 Temporary Code) The package is labeled. Usually the label identifies the name, brand or description of the product within the package.
LG	Log
MPE	Multipack (GS1 Temporary Code) A container for the merchandising of multiple units of the same product.
NE	Unpacked or unpackaged A product merchandised or sold without packaging.
NU	Net, tube, plastic
NV	Net, tube, textile
OA	Pallet, CHEP 40 cm X 60 cm CHEP standard pallet of dimension 40 centimeters X 60 centimeters.
OB	Pallet, CHEP 80 cm X 120 cm CHEP standard pallet of dimension 80 centimeters X 120 centimeters
OC	Pallet, CHEP 100 cm X 120 cm CHEP standard pallet of dimension 100 centimeters X 120 centimeters
OD	Pallet, AS 4068-1993 Australian standard Pallet of dimensions 115.5 centimeters X 116.5 centimeters
OE	Pallet, ISO T11 ISO standard pallet of dimensions 110 centimeters x110 centimeters, prevalent in Asia – Pacific region.
OF	Platform, unspecified weight or dimension A pallet equivalent shipping platform of unknown dimensions or unknown weight.

Applicable Codes

Applicable codes, sorted by data elements

OPE	Oxygen packed (GS1 Temporary Code) A package with oxygen added for storage purposes.
PA	Packet Package type used for the smallest trade unit, e.g., a packet of 20 cigarettes, a packet of potato chips.
PAE	Paper (GS1 Temporary Code) An indication that the item(s) is packed in paper.
PB	Pallet, box
PC	Parcel A small wrapped package.
PD	Pallet, modular, collars 80cms * 100cms
PE	Pallet, modular, collars 80cms * 120cms
PG	Plate A smooth flat thin piece of metal, e.g. steel plate.
PJ	Punnet
PK	Package A wrapped or boxed item.
PL	Pail GS1 Description: An open-topped container usually made of metal or plastic, generally used to carry liquids.
PLP	Peel pack (GS1 Temporary Code) A package used for sterile products which may be torn open without touching the product inside.
PO	Pouch A small bag or sack.
POP	Cone shaped paper wrapper (GS1 Temporary Code) Cone shaped paper wrapping e.g. for an individually packed ice cream cone.
PPE	Polypropylene bag (GS1 Temporary Code) A bag made from polypropylene.
PU	Tray A board with a ring for carrying small articles.
PUE	Tray packed in plastic (GS1 Temporary Code) A board with a ring packed in plastic carrying for small articles.
PUN	Punnet (GS1 Temporary Code) A small shallow basket usually made of plastic.
PX	Pallet
RB1	A wheeled pallet with raised rim (GS1 Temporary Code). 81 x 67 x 135 cm (length x width x height). A wheeled pallet with raised rim for the storing and transporting of loads. Dimensions: 81 x 67 x 135 cm (length x width x height).

Applicable Codes

Applicable codes, sorted by data elements

RB2	A Wheeled pallet with raised rim (GS1 Temporary Code). 81 x 72 x 135 cm (length x width x height). A wheeled pallet with raised rim for the storing and transporting of loads. Dimensions: 81 x 72 x 135 cm (length x width x height).
RB3	Wheeled pallet with raised rim. 81 x 60 x 16 cm (length x width x height). (GS1 Temporary Code) A wheeled pallet with raised rim for the storing and transporting of loads. Dimensions: 81 x 60 x 16 cm (length x width x height).
RCB	Two sided cage on wheels with fixing strap (GS1 Temporary Code) 900 x 770 x 1513 cm (length x width x height) A two sided cage mounted on wheels with fixing strap. Dimensions: 900 x 770 x 1513 cm (length x width x height).
RG	Ring A hollow circular band of material wound around itself.
RJ	Rack, clothing hanger
RL	Reel A spool on which thread, wire, film, etc, is wound.
RO	Roll A package of goods wound into a ball or cylinder.
SA	Sack A large bag of coarse cloth for storing or moving grain, foodstuffs, etc.
SEC	Article Surveillance (GS1 Temporary Code) Equipped with article surveillance.
SH	Sachet A small sealed envelope.
SL	Slipsheet A firm sheet of plastic, cardboard or other material which may be hooked or attached to a forklift or other transportation equipment. The slipsheet is used to pull products stacked on top of it.
SO	Spool Any cylindrical piece on which something is wound.
SP	Sheet, plastic wrapping
STL	Stick (GS1 Temporary Code) A container for dispensing solid substances, e.g. glue, deodorant.
SW	Shrinkwrapped A transport unit load whose contents are secured together through the use of transparent or semi-transparent filmwrap.
SX	Set
T1	Tablet A loose or unpacked article in the form of a bar, block or piece.
TAE	Tablet (GS1 Temporary Code) A small rectangular package of aluminium foil or paper, e.g. a tablet of chocolate.

Applicable Codes

Applicable codes, sorted by data elements

TB	Tub A round, open, flat bottomed wooden container.
TEV	Tamper evident package (GS1 Temporary Code) A type of package giving easy or immediate recognition that the package has been tampered with after it has been sealed.
THE	Three pack (GS1 Temporary Code) A package containing three products.
TL	Tub, with lid
TRE	Trolley (GS1 Temporary Code) A low cart for the transportation and storage of groceries, milk, etc.
TTE	Tube, standing (GS1 Temporary Code) A screw-topped pliable cylinder capable of standing and suitable for holding pastes or semi-liquids, e.g. a tube of toothpaste.
TU	Tube A screw-topped pliable cylinder suitable for holding pastes or semi-liquids, e.g. a tube of toothpaste.
TV	Tube, with nozzle
TWE	Two pack (GS1 Temporary Code) A package containing two products.
TY	Tank, cylindrical A cylindrical container suitable for the storage or transportation of liquids or gases.
UUE	Tube net (GS1 Temporary Code) A plastic or textile tube suitable for carrying loose products, e.g. fruit.
UVQ	Wrapped in plastic sheet (GS1 Temporary Code) An indication that the items have been wrapped in plastic sheet.
VI	Vial Small (usually glass) container. E.g. for a liquid medicine or perfume.
VP	Vacuumpacked A package from which all air has been removed in order to keep the contents fresh.
WRP	Wrapper (GS1 Temporary Code) Wrapping e.g. for an individually packed ice cream.
X10	Tub with lid (GS1 Temporary Code) A small, usually plastic, container with a lid for food, e.g. ice cream.
X11	Banded package (GS1 Temporary Code) A package with bands, usually metal or nylon, round it to hold the products together.
X12	Cardboard package with grip holes for bottles (GS1 Temporary Code) Cardboard package with a number of holes. Each hole is to be gripped tightly around the neck of a bottle.
X14	Card (GS1 Temporary Code) A flat package usually made of fibreboard from/to which the product is often hung or attached.
X15	Oneway pallet ISO 0 - 1/2 EURO Pallet (GS1 Temporary Code)

Applicable Codes

Applicable codes, sorted by data elements

	Oneway pallet with dimensions 80 X 60 cm.
X16	Oneway pallet ISO 1 - 1/1 EURO Pallet (GS1 Temporary Code) Oneway pallet with dimensions 80 X 120 cm.
X17	Pallet with exceptional dimensions (GS1 Temporary Code) Pallet with non-standard dimensions.
X18	Parcel with exceptional dimensions (GS1 Temporary Code) Parcel with non-standard dimensions.
X3	Standard stack of stones (GS1 Temporary Code) Standard stack of stones.
X9	Pallet 100 X 110 cm (GS1 Temporary Code) Pallet with dimensions 100 X 110 cm.

Applicable Codes

Applicable codes, sorted by data elements

7077 Description format code

Code	Code name/description
A	Free-form long description Long description of an item in free form.
B	Code and text Description of an item in coded and free form text.
C	Code (from industry code list) Description of an item in coded format.
D	Free-form price look up Price look-up description of a product for point of sale receipts.
E	Free-form short description Short description of an item in free form.
F	Free-form Description of an item in free form text.
S	Structured (from industry code list) Description of an item in a structured format.

Applicable Codes

Applicable codes, sorted by data elements

7143 Item type identification code

Code	Code name/description
SA	Supplier's article number Number assigned to an article by the supplier of that article.
SRV	GS1 Global Trade Item Number A unique number, up to 14-digits, assigned according to the numbering structure of the GS1 system. 'GS1' stands for the 'Global Standards One'.

Applicable codes, sorted by data elements

7405 Object identification code qualifier

Code	Code name/description
BN	Serial number Identification number of an item which distinguishes this specific item out of a number of identical items.

Applicable codes, sorted by data elements

8051 Transport stage code qualifier

Code	Code name/description
20	Main-carriage transport The primary stage in the movement of cargo from the point of origin to the intended destination.

No	Tag	Example
01	UNH	UNH+TS000003+DESADV:D:01B:UN'
02	BGM	BGM+351+10000055281+9'
03	DTM	DTM+137:20180915113000:204'
04	ALI	ALI+++164'
	SG1	
05	RFF	RFF+ON:CA3304428101SI'
06	DTM	DTM+171:20180813101850:204'
	SG2	
07	NAD	NAD+BY+3830018249996::9++TELEKOM SLOVENIJE, d.d.:X+Cigaletova ulica 15:X+Ljubljana++1000+SI'
	SG3	
08	RFF	RFF+VA:SI98511734'
	SG4	
09	CTA	CTA+OC+:Ana Novak'
10	COM	COM+ana.novak@telekom.si:EM'
	SG2	
11	NAD	NAD+SU+3834567000210::9++Dobavitelj d.o.o.:X+Dobaviteljeva ulica 20:X+Nova Gorica++5000+SI'
	SG3	
12	RFF	RFF+VA:SI12345678'
	SG2	
13	NAD	NAD+DP+3830018249965::9++Telekom Slovenije, d.d., Centralno skladišče:X+Litostrojska cesta 58 b:X+Ljubljana++1000+SI'
	SG4	
14	CTA	CTA+OC+:TS Centralno skladišče Litostrojska'
15	COM	COM+01 472 8219:TE'
	SG6	
16	TDT	TDT+20++++3832300014893::9:Prevoznik d.o.o.'
	SG10	
17	CPS	CPS+1'
	SG11	
18	PAC	PAC+1++CT'
	SG13	
19	PCI	PCI+33E'
20	RFF	RFF+CN:376123450011590001'
	SG17	
21	LIN	LIN+1++8806000007501:SRV'
22	PIA	PIA+5+5330051:SA'
23	IMD	IMD+F++:::LED TV GORENJE 50AB0001:X'
24	QTY	QTY+21:2:PCE'
25	MOA	MOA+203:1700.00'
	SG18	
26	RFF	RFF+ON:128576:1'

No = Consecutive segment number

Sample message

No	Tag	Example
	SG22	
27	PCI	PCI+17'
	SG23	
28	GIN	GIN+BN+SER1032'
29	UNT	UNT+29+TS000003'

No = Consecutive segment number