



Message Implementation Guideline

PRICAT_TELEKOM_SLOVENIJE

based on

PRICAT

Price/sales catalogue message

EANCOM® 2002 S4

Version: v0
Variant: 1
Issue date: 7.6.2022
Author: ZZI d.o.o.

Message Structure.....	3
Branching Diagram	4
Segments	7
Applicable Codes	31
Sample Message	78

Message Structure Chart**Price/Sales Catalogue Heading Section**

UNH	1	M	1	- Message header
BGM	2	M	1	- Beginning of message
DTM	3	M	35	- Date/time/period
SG1		C	99	- RFF-DTM
RFF	4	M	1	- Reference
DTM	5	C	5	- Date/time/period
SG2		R	99	- NAD-SG3
NAD	6	M	1	- Name and address
SG3		R	10	- RFF
RFF	7	M	1	- Reference
SG2		R	99	- NAD-SG3
NAD	8	M	1	- Name and address
SG3		R	10	- RFF
RFF	9	M	1	- Reference
SG6		R	20	- CUX
CUX	10	M	1	- Currencies

Price/Sales Catalogue Detail Section

SG17		R	1000	- PGI-SG36
PGI	11	M	1	- Product group information
SG36		C	999999	- LIN-PIA-IMD-IMD-MEA-ALI-FTX-SG38-SG40
LIN	12	M	1	- Line item
PIA	13	C	99	- Additional product id
IMD	14	R	999	- Item description
IMD	15	R	999	- Item description
MEA	16	C	10	- Measurements
ALI	17	D	5	- Additional information
FTX	18	C	999	- Free text
SG38		R	10	- TAX
TAX	19	M	1	- Duty/tax/fee details
SG40		C	100	- PRI
PRI	20	M	1	- Price details

Price/Sales Catalogue Summary Section

UNT	21	C	1	- Message trailer
-----	----	---	---	-------------------

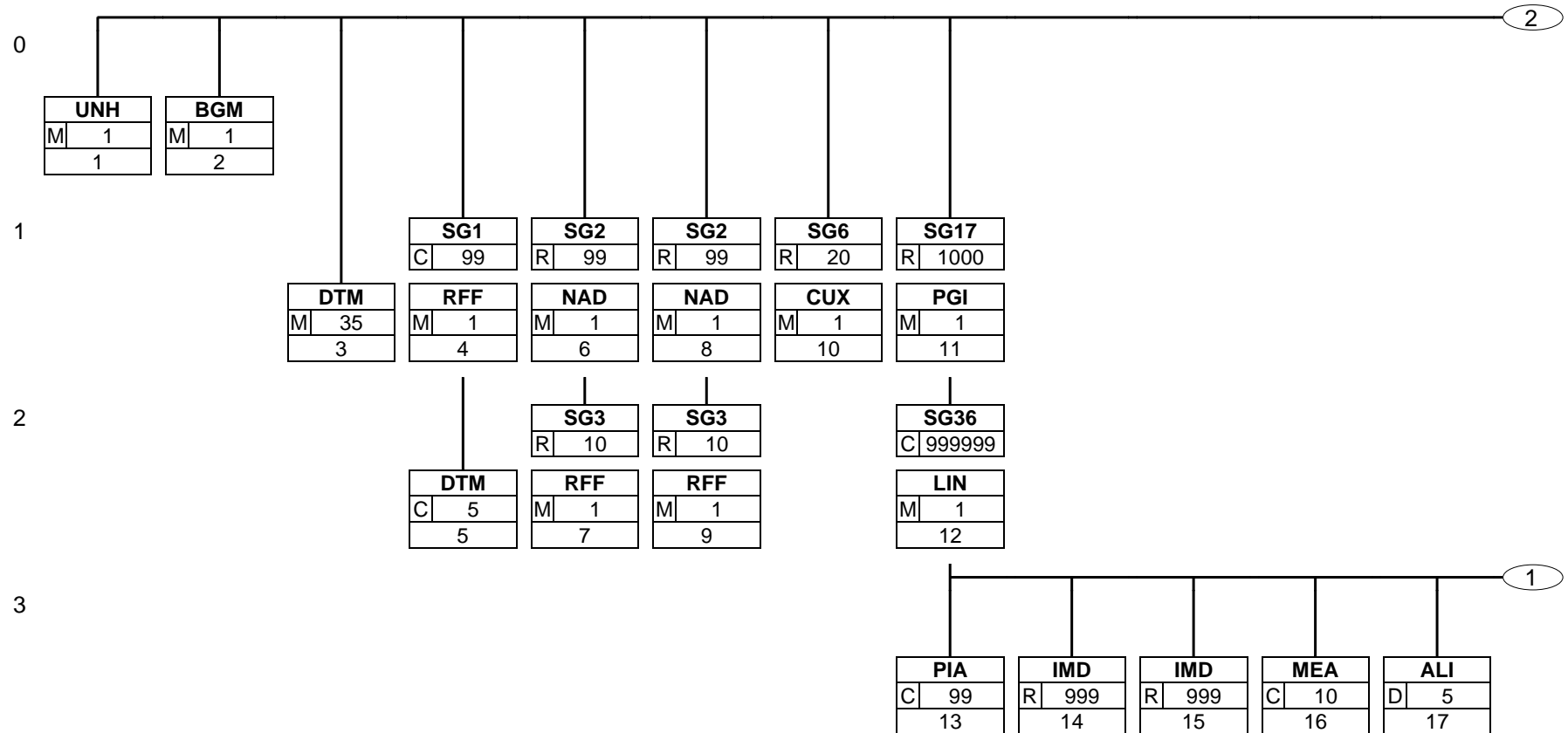
St = Status

EDIFACT: M=Mandatory, C=Conditional

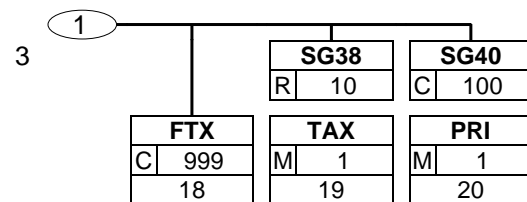
User specific: R=Required, O=Optional, D=Dependent, A=Advised, N=Not used, X=Not used

PRICAT
Branching Diagram

Price/sales catalogue message

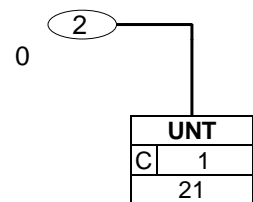


Status: M=Mandatory, C=Conditional, R=Required, O=Optional, D=Dependent, A=Advised, N=Not used, X=Not used



Status: M=Mandatory, C=Conditional, R=Required, O=Optional, D=Dependent, A=Advised, N=Not used, X=Not used

Branching Diagram



Status: M=Mandatory, C=Conditional, R=Required, O=Optional, D=Dependent, A=Advised, N=Not used, X=Not used

Segment number: 1

UNH - M 1 - Message header						
Function: To head, identify and specify a message.						
Notes: 1. Data element S009/0057 is retained for upward compatibility. The use of S016 and/or S017 is encouraged in preference. 2. The combination of the values carried in data elements 0062 and S009 shall be used to identify uniquely the message within its group (if used) or if not used, within its interchange, for the purpose of acknowledgement.						
EDIFACT			EAN			
Tag	Name	St/Format	St	*	Usage	Example
0062	Message reference number	M an..14	M		Senders unique message reference. Sequence number of messages in the interchange. DE 0062 in UNT will have the same value. Generated by the sender.	TS000004
S009	MESSAGE IDENTIFIER	M	M			
0065	Message type	M an..6	M		PRICAT = Price/sales catalogue message	PRICAT
0052	Message version number	M an..3	M		D = Draft version/UN/EDIFACT Directory	D
0054	Message release number	M an..3	M		01B = Release 2001 - B	01B
0051	Controlling agency, coded	M an..3	M		UN = UN/CEFACT	UN
Segment Notes: This segment is used to head, identify and specify a message. Example: UNH+TS000004+PRICAT:D:01B:UN'						

* = Restricted Codes

St = Status
EDIFACT: M=Mandatory, C=Conditional
User specific: R=Required, O=Optional, D=Dependent,
A=Advised, N=Not used, X=Not used

Segment number: 2

BGM - M 1 - Beginning of message						
Function: To indicate the type and function of a message and to transmit the identifying number.						
EDIFACT			EAN			
Tag	Name	St/Format	St	*	Usage	Example
C002	DOCUMENT/MESSAGE NAME	C	R			
1001	Document name code	C an..3	R		9 = Price/sales catalogue	9
C106	DOCUMENT/MESSAGE IDENTIFICATION	C	R			
1004	Document identifier	C an..70	R		Price/sales catalogue message number.	PC32458
1225	Message function code	C an..3	R		4 = Change 47 = Definitive The message function, coded is a critical data element in this segment. It applies to all data indicated in the message. The following definitions apply for the restricted codes: 4 = Change - This code is used to modify any information relevant to a product already known by the trading partner. Only the segments containing modified information needs to be sent. All previously sent data in a modified segment must be provided. All occurrences (repetitions) of a modified segment mustbe provided (whether modified or not). 47 = Definitive - This code is used to indicate that the content of the price/sales catalogue message is definitive. Note: Items not included in the message will be considered as no longer available.	47
Segment Notes: This segment is used to indicate the type and function of a message and to transmit the identifying number. All references other than the document number DE 1004 are in the RFF segment. Example: BGM+9+PC32458+47'						

* = Restricted Codes

St = Status
 EDIFACT: M=Mandatory, C=Conditional
 User specific: R=Required, O=Optional, D=Dependent,
 A=Advised, N=Not used, X=Not used

Segment number: 3

DTM - M 35 - Date/time/period						
Function: To specify date, and/or time, or period.						
EDIFACT			EAN			
Tag	Name	St/Format	St	*	Usage	Example
C507	DATE/TIME/PERIOD	M	M			
2005	Date or time or period function code qualifier	M an..3	M		137 = Document/message date/time	137
2380	Date or time or period value	C an..35	R			20210301
2379	Date or time or period format code	C an..3	R		204 = CCYYMMDDHHMMSS 102 = CCYYMMDD	102
<p>Segment Notes:</p> <p>This segment is used to specify the date or period of the Price/Sales Catalogue. DE 2005: Identification of the 'Document/message date/time' (code value 137) is mandatory in an EANCOM message. Example: DTM+137:20210301:102'</p>						

* = Restricted Codes

St = Status
EDIFACT: M=Mandatory, C=Conditional
User specific: R=Required, O=Optional, D=Dependent,
A=Advised, N=Not used, X=Not used

Segment number: 4

SG1	- C	99 - RFF-DTM				
RFF	- M	1 - Reference				
Function: To specify a reference.						
EDIFACT			EAN			
Tag	Name	St/Format	St	*	Usage	Example
C506	REFERENCE	M	M			
1153	Reference code qualifier	M an..4	M		CT = Contract number PL = Price list number	CT
1154	Reference identifier	C an..70	R			5622ABE
Segment Notes: This segment is used to give references which apply to the complete message. Example: RFF+CT:5622ABE'						

* = Restricted Codes

St = Status
 EDIFACT: M=Mandatory, C=Conditional
 User specific: R=Required, O=Optional, D=Dependent,
 A=Advised, N=Not used, X=Not used

Segment number: 5

SG1	- C	99 - RFF-DTM				
DTM	- C	5 - Date/time/period				
Function: To specify date, and/or time, or period.						
EDIFACT			EAN			
Tag	Name	St/Format	St	*	Usage	Example
C507	DATE/TIME/PERIOD	M	M			
2005	Date or time or period function code qualifier	M an..3	M	*	171 = Reference date/time	171
2380	Date or time or period value	C an..35	R			20210105
2379	Date or time or period format code	C an..3	R		204 = CCYYMMDDHHMMSS 102 = CCYYMMDD	102
Segment Notes: This segment is used to specify dates relating to the references given in the preceding RFF segment. Example: DTM+171:20210105:102'						

* = Restricted Codes

St = Status
EDIFACT: M=Mandatory, C=Conditional
User specific: R=Required, O=Optional, D=Dependent,
A=Advised, N=Not used, X=Not used

Segment number: 6

SG2	- R	99 - NAD-SG3				
NAD	- M	1 - Name and address				
Function:						
To specify the name/address and their related function, either by C082 only and/or unstructured by C058 or structured by C080 thru 3207.						
EDIFACT			EAN			
Tag	Name	St/Format	St	*	Usage	Example
3035	Party function code qualifier	M an..3	M		BY = Buyer	BY
C082	PARTY IDENTIFICATION DETAILS	C	D		For identification of the party C082 must be used. Exceptions are only allowed for parties without GLN. For parties without GLN usage of SG3 is required.	
3039	Party identifier	M an..70	M		GLN - Format n13	3830018249 996
1131	Code list identification code	C an..17	N		Not used	
3055	Code list responsible agency code	C an..3	R		9 = GS1	9
C058	NAME AND ADDRESS	C	N			
3124	Name and address description	M an..35	N		Not used	
C080	PARTY NAME	C	C			
3036	Party name	M an..70	M			TELEKOM SLOVENIJE , d.d.
3036	Party name	C an..70	C			X
C059	STREET	C	C			
3042	Street and number or post office box identifier	M an..35	M			Cigaletova ulica 15
3042	Street and number or post office box identifier	C an..35	C			X
3164	City name	C an..35	C			Ljubljana
C819	COUNTRY SUB-ENTITY DETAILS	C	N			
3229	Country sub-entity name code	C an..9	N		Not used	
3251	Postal identification code	C an..17	C			1000
3207	Country name code	C an..3	C			SI
Segment Notes:						
This segment is used to identify the trading partners involved in the Order process. Identification of the buyer and						

* = Restricted Codes

St = Status
EDIFACT: M=Mandatory, C=Conditional
User specific: R=Required, O=Optional, D=Dependent,
A=Advised, N=Not used, X=Not used

Segment Details

Segment number: 6

supplier of goods and services is mandatory using DE's 3035 and C082.

Example: NAD+BY+3830018249996::9++TELEKOM SLOVENIJE, d.d.:X+Cigaletova ulica 15:X+Ljubljana++1000+SI'

* = Restricted Codes

St = Status

EDIFACT: M=Mandatory, C=Conditional

User specific: R=Required, O=Optional, D=Dependent,

A=Advised, N=Not used, X=Not used

Segment number: 7

SG2	- R	99 - NAD-SG3				
SG3	- R	10 - RFF				
RFF	- M	1 - Reference				
Function: To specify a reference.						
EDIFACT			EAN			
Tag	Name	St/Format	St	*	Usage	Example
C506	REFERENCE	M	M			
1153	Reference code qualifier	M an..4	M		VA = VAT registration number	VA
1154	Reference identifier	C an..70	R			SI98511734
<p>Segment Notes:</p> <p>This segment is used to specify reference numbers related to the party specified in the previous NAD segment. For Buyer(BY) and Supplier(SU) usage of VAT registration number(VA) is required. Usage of other codes should be mutually defined among trading partners.</p> <p>Example: RFF+VA:SI98511734'</p>						

* = Restricted Codes

St = Status
EDIFACT: M=Mandatory, C=Conditional
User specific: R=Required, O=Optional, D=Dependent,
A=Advised, N=Not used, X=Not used

Segment number: 8

SG2	- R	99 - NAD-SG3				
NAD	- M	1 - Name and address				
Function:						
To specify the name/address and their related function, either by C082 only and/or unstructured by C058 or structured by C080 thru 3207.						
EDIFACT			EAN			
Tag	Name	St/Format	St	*	Usage	Example
3035	Party function code qualifier	M an..3	M		SU = Supplier	SU
C082	PARTY IDENTIFICATION DETAILS	C	D		For identification of the party C082 must be used. Exceptions are only allowed for parties without GLN. For parties without GLN usage of SG3 is required.	
3039	Party identifier	M an..70	M		GLN - Format n13	3834567000 210
1131	Code list identification code	C an..17	N		Not used	
3055	Code list responsible agency code	C an..3	R		9 = GS1	9
C058	NAME AND ADDRESS	C	N			
3124	Name and address description	M an..35	N		Not used	
C080	PARTY NAME	C	C			
3036	Party name	M an..70	M			Dobavitelj d.o.o.
3036	Party name	C an..70	C			X
C059	STREET	C	C			
3042	Street and number or post office box identifier	M an..35	M			Dobaviteljev a ulica 20
3042	Street and number or post office box identifier	C an..35	C			X
3164	City name	C an..35	C			Nova Gorica
C819	COUNTRY SUB-ENTITY DETAILS	C	N			
3229	Country sub-entity name code	C an..9	N		Not used	
3251	Postal identification code	C an..17	C			5000
3207	Country name code	C an..3	C			SI
Segment Notes:						
This segment is used to identify the trading partners involved in the Order process. Identification of the buyer and supplier of goods and services is mandatory using DE's 3035 and C082.						

* = Restricted Codes

St = Status
EDIFACT: M=Mandatory, C=Conditional
User specific: R=Required, O=Optional, D=Dependent,
A=Advised, N=Not used, X=Not used

Segment Details

Segment number: 8

Example: NAD+SU+3834567000210::9++Dobavitelj d.o.o.:X+Dobaviteljeva ulica 20:X+Nova Gorica++5000+SI'
--

* = Restricted Codes

St = Status

EDIFACT: M=Mandatory, C=Conditional

User specific: R=Required, O=Optional, D=Dependent,

A=Advised, N=Not used, X=Not used

Segment number: 9

SG2	- R	99 - NAD-SG3				
SG3	- R	10 - RFF				
RFF	- M	1 - Reference				
Function: To specify a reference.						
EDIFACT			EAN			
Tag	Name	St/Format	St	*	Usage	Example
C506	REFERENCE	M	M			
1153	Reference code qualifier	M an..4	M		VA = VAT registration number	VA
1154	Reference identifier	C an..70	R			SI12345678
<p>Segment Notes:</p> <p>This segment is used to specify reference numbers related to the party specified in the previous NAD segment. For Buyer(BY) and Supplier(SU) usage of VAT registration number(VA) is required. Usage of other codes should be mutually defined among trading partners.</p> <p>Example: RFF+VA:SI12345678'</p>						

* = Restricted Codes

St = Status
 EDIFACT: M=Mandatory, C=Conditional
 User specific: R=Required, O=Optional, D=Dependent,
 A=Advised, N=Not used, X=Not used

Segment number: 10

SG6	- R	20 - CUX				
CUX	- M	1 - Currencies				
Function: To specify currencies used in the transaction and relevant details for the rate of exchange.						
EDIFACT			EAN			
Tag	Name	St/Format	St	*	Usage	Example
C504	CURRENCY DETAILS	C	R			
6347	Currency usage code qualifier	M an..3	M	*	2 = Reference currency	2
6345	Currency identification code	C an..3	R		ISO 4217 three Alpha EUR = Euro	EUR
<p>Segment Notes:</p> <p>This segment is used to specify the currencies in which the prices in the Price/Sales Catalogue are quoted and to specify the currencies for international trading. The CUX segment is mandatory for international exchanges. This segment is used to specify the currencies in which the prices in the Price/Sales Catalogue are quoted. When specifying Reference and Target Currencies, one occurrence of CUX is all that is required. The reference currency is identified in the first occurrence of the composite C504, with the target currency specified in the second occurrence of C504. The rate of exchange between the two is detailed in DE 5402. The general rule for calculating rate of exchange is as follows: Reference Currency multiplied by Rate = Target Currency. Example: CUX+2:EUR'</p>						

* = Restricted Codes

St = Status
EDIFACT: M=Mandatory, C=Conditional
User specific: R=Required, O=Optional, D=Dependent,
A=Advised, N=Not used, X=Not used

Segment number: 11

SG17 - R 1000 - PGI-SG36						
PGI - M 1 - Product group information						
Function: To indicate the group in which a product belongs.						
EDIFACT			EAN			
Tag	Name	St/Format	St	*	Usage	Example
5379	Product group type code	M an..3	M		2 = No price group used	2
Segment Notes: This segment is used to group a set of related products together. Example: PGI+2'						

* = Restricted Codes

St = Status
EDIFACT: M=Mandatory, C=Conditional
User specific: R=Required, O=Optional, D=Dependent,
A=Advised, N=Not used, X=Not used

Segment number: 12

SG17	- R	1000	- PGI-SG36		
SG36	- C	999999	- LIN-PIA-IMD-MEA-ALI-FTX-SG38-SG40		
LIN	- M	1	- Line item		
Function: To identify a line item and configuration.					
EDIFACT			EAN		
Tag	Name	St/Format	St	* Usage	Example
1082	Line item identifier	C an..6	R	Application generated number of the lines or sub-lines within the Price/Sales Catalogue message.	1
1229	Action request/notification description code	C an..3	C	1 = Added 2 = Deleted 3 = Changed 4 = No action 38 = Replaced 96 = Correction of error	1
C212	ITEM NUMBER IDENTIFICATION	C	D	This composite will only be used for the identification of EAN/UPC numbers. If another coding structure is required, e.g. HIBC, then this composite will not be used and the code will be detailed in the PIA segment.	
7140	Item identifier	C an..35	R	Format n..14 GTIN - this is the number of the article.	8806000007501
7143	Item type identification code	C an..4	R	* SRV = GS1 Global Trade Item Number	SRV
Segment Notes: This segment is used to identify the GTIN of a product. If Global Trade Item Numbers are available it is mandatory to use GTIN within the LIN segment. Example: LIN+1+1+8806000007501:SRV'					

* = Restricted Codes

St = Status
EDIFACT: M=Mandatory, C=Conditional
User specific: R=Required, O=Optional, D=Dependent,
A=Advised, N=Not used, X=Not used

Segment number: 13

SG17	- R	1000 - PGI-SG36				
SG36	- C	999999 - LIN-PIA-IMD-MEA-ALI-FTX-SG38-SG40				
PIA	- C	99 - Additional product id				
Function: To specify additional or substitutional item identification codes.						
EDIFACT			EAN			
Tag	Name	St/Format	St	*	Usage	Example
4347	Product identifier code qualifier	M an..3	M		5 = Product identification	5
C212	ITEM NUMBER IDENTIFICATION	M	M			
7140	Item identifier	C an..35	R			233976
7143	Item type identification code	C an..4	R		IN = Buyer's item number SA = Supplier's article number MF = Manufacturer's (producer's) article number HS = Harmonised system Code HS is used for the identification of TARIC numbers.	SA
Segment Notes: This segment is used to identify additional or substitutional item identification codes such as buyer's, or seller's item number. Example: PIA+5+233976:SA'						

* = Restricted Codes

St = Status
 EDIFACT: M=Mandatory, C=Conditional
 User specific: R=Required, O=Optional, D=Dependent,
 A=Advised, N=Not used, X=Not used

Segment number: 14

SG17	- R	1000	- PGI-SG36
SG36	- C	999999	- LIN-PIA-IMD-MEA-ALI-FTX-SG38-SG40
IMD	- R	999	- Item description

Function:
To describe an item in either an industry or free format.

EDIFACT			EAN			
Tag	Name	St/Format	St	*	Usage	Example
7077	Description format code	C an..3	R	*	F = Free-form	F
C272	ITEM CHARACTERISTIC	C	R			
7081	Item characteristic code	C an..3	R		ANM = Article name (GS1 Temporary Code)	ANM
C273	ITEM DESCRIPTION	C	R			
7009	Item description code	C an..17	N		Not used	
1131	Code list identification code	C an..17	N		Not used	
3055	Code list responsible agency code	C an..3	N		Not used	
7008	Item description	C an..256	R			LED TV 50AB0001
7008	Item description	C an..256	C			X

Segment Notes:
This segment is used to describe the current line item.
Product description information is required in the price catalogue message when a product is new or its description has been amended, otherwise its use is not recommended.
If you wish to indicate that promotional details are marked on the package, then this should be indicated in DE 7233 in the PAC segment.
Example: IMD+F+ANM+:::LED TV 50AB0001:X'

* = Restricted Codes

St = Status
EDIFACT: M=Mandatory, C=Conditional
User specific: R=Required, O=Optional, D=Dependent,
A=Advised, N=Not used, X=Not used

Segment number: 15

SG17	- R	1000	- PGI-SG36			
SG36	- C	999999	- LIN-PIA-IMD-MEA-ALI-FTX-SG38-SG40			
IMD	- R	999	- Item description			
Function: To describe an item in either an industry or free format.						
EDIFACT			EAN			
Tag	Name	St/Format	St	*	Usage	Example
7077	Description format code	C an..3	R	*	F = Free-form	F
C272	ITEM CHARACTERISTIC	C	R			
7081	Item characteristic code	C an..3	R		BRN = Brand name (GS1 Temporary Code)	BRN
C273	ITEM DESCRIPTION	C	R			
7009	Item description code	C an..17	N		Not used	
1131	Code list identification code	C an..17	N		Not used	
3055	Code list responsible agency code	C an..3	N		Not used	
7008	Item description	C an..256	R			Gorenje
Segment Notes: This segment is used to describe a brand name of an article. Example: IMD+F+BRN+:::Gorenje'						

* = Restricted Codes

St = Status
EDIFACT: M=Mandatory, C=Conditional
User specific: R=Required, O=Optional, D=Dependent,
A=Advised, N=Not used, X=Not used

Segment number: 16

SG17	- R	1000 - PGI-SG36	
SG36	- C	999999 - LIN-PIA-IMD-MEA-ALI-FTX-SG38-SG40	
MEA	- C	10 - Measurements	
Function:			
To specify physical measurements, including dimension tolerances, weights and counts.			
EDIFACT		EAN	
Tag	Name	St/Format	St * Usage
6311	Measurement purpose code qualifier	M an..3	M AAE = Measurement
C502	MEASUREMENT DETAILS	C	C
6313	Measured attribute code	C an..3	R AAA = Unit net weight AAB = Unit gross weight ABJ = Volume
6321	Measurement significance code	C an..3	C 3
C174	VALUE/RANGE	C	C
6411	Measurement unit code	M an..8	M KGM = kilogram MTQ = cubic metre MTR = metre CMT = centimetre LTR = litre
6314	Measurement value	C an..18	M 10
Segment Notes:			
This segment is used to specify measurements related to the article identified in the LIN segment. Measurements related to the packaging of the article are provided in the MEA segment of the PAC segment group.			
Example: MEA+AAE+AAA:3+KGM:10'			

* = Restricted Codes

St = Status
EDIFACT: M=Mandatory, C=Conditional
User specific: R=Required, O=Optional, D=Dependent,
A=Advised, N=Not used, X=Not used

Segment number: 17

SG17	- R	1000	- PGI-SG36			
SG36	- C	999999	- LIN-PIA-IMD-MEA-ALI-FTX-SG38-SG40			
ALI	- D	5	- Additional information			
Function:						
To indicate that special conditions due to the origin, customs preference, fiscal or commercial factors are applicable.						
EDIFACT			EAN			
Tag	Name	St/Format	St	*	Usage	Example
3239	Country of origin name code	C an..3	C		ISO 3166 two alpha code	SI
9213	Duty regime type code	C an..3	N		Not used	
4183	Special condition code	C an..3	D		172 = Production batch number allocated Code 172 must be used if a serial number is allocated by the manufacturer to the item.	172
Segment Notes:						
This segment is used to indicate special conditions for the current line item, or, to specify the country of origin of the line item.						
Example: ALI+SI++172'						

* = Restricted Codes

St = Status
EDIFACT: M=Mandatory, C=Conditional
User specific: R=Required, O=Optional, D=Dependent,
A=Advised, N=Not used, X=Not used

Segment number: 18

SG17	- R	1000	- PGI-SG36			
SG36	- C	999999	- LIN-PIA-IMD-MEA-ALI-FTX-SG38-SG40			
FTX	- C	999	- Free text			
Function: To provide free form or coded text information.						
EDIFACT			EAN			
Tag	Name	St/Format	St	*	Usage	Example
4451	Text subject code qualifier	M an..3	R		PRD = Product information	PRD
4453	Free text function code	C an..3	N		Not used	
C107	TEXT REFERENCE	C	N			
4441	Free text value code	M an..17	N		Not used	
C108	TEXT LITERAL	C	C			
4440	Free text value	M an..512	M			Širokozaslon ski LED Smart TV sprejemnik.
4440	Free text value	C an..512	C			X
4440	Free text value	C an..512	C			X
4440	Free text value	C an..512	C			X
4440	Free text value	C an..512	C			X
Segment Notes: Example: FTX+PRD+++Širokozaslonski LED Smart TV sprejemnik.:X:X:X'						

* = Restricted Codes

St = Status
EDIFACT: M=Mandatory, C=Conditional
User specific: R=Required, O=Optional, D=Dependent,
A=Advised, N=Not used, X=Not used

Segment number: 19

SG17	- R	1000	- PGI-SG36
SG36	- C	999999	- LIN-PIA-IMD-MEA-ALI-FTX-SG38-SG40
SG38	- R	10	- TAX
TAX	- M	1	- Duty/tax/fee details

Function:

To specify relevant duty/tax/fee information.

EDIFACT			EAN			
Tag	Name	St/Format	St	*	Usage	Example
5283	Duty or tax or fee function code qualifier	M an..3	M		7 = Tax	7
C241	DUTY/TAX/FEE TYPE	C	R			
5153	Duty or tax or fee type name code	C an..3	R		VAT = Value added tax	VAT
C533	DUTY/TAX/FEE ACCOUNT DETAIL	C	N			
5289	Duty or tax or fee account code	M an..6	N		Not used	
5286	Duty or tax or fee assessment basis value	C an..15	N		Not used	
C243	DUTY/TAX/FEE DETAIL	C	R			
5279	Duty or tax or fee rate code	C an..7	N		Not used	
1131	Code list identification code	C an..17	N		Not used	
3055	Code list responsible agency code	C an..3	N		Not used	
5278	Duty or tax or fee rate	C an..17	R		The actual rate of tax/duty.	22
5305	Duty or tax or fee category code	C an..3	C		The VAT category code for the invoiced item. S = Standard rate Z = Zero rated goods E = Exempt from tax AE = VAT Reverse Charge O = Services outside scope of tax G = Free export item, tax not charged K = VAT exempt for EEA intra-community supply of goods and services	S

Segment Notes:

This segment is used to specify the tax details for the current line item.

* = Restricted Codes

St = Status

EDIFACT: M=Mandatory, C=Conditional

User specific: R=Required, O=Optional, D=Dependent,

A=Advised, N=Not used, X=Not used

Segment Details

Segment number: 19

Example: TAX+7+VAT+++:::22+S'

* = Restricted Codes

St = Status

EDIFACT: M=Mandatory, C=Conditional

User specific: R=Required, O=Optional, D=Dependent,

A=Advised, N=Not used, X=Not used

Segment number: 20

SG17	- R	1000	- PGI-SG36
SG36	- C	999999	- LIN-PIA-IMD-MEA-ALI-FTX-SG38-SG40
SG40	- C	100	- PRI
PRI	- M	1	- Price details

Function:
To specify price information.

EDIFACT			EAN			
Tag	Name	St/Format	St	*	Usage	Example
C509	PRICE INFORMATION	C	R			
5125	Price code qualifier	M an..3	M		AAA = Calculation net AAB = Calculation gross	AAA
5118	Price amount	C n..15	C			499.99
5375	Price type code	C an..3	N		Not used	
5387	Price specification code	C an..3	C		INV = Invoice price SRP = Suggested retail price	SRP
5284	Unit price basis value	C n..9	C			9
6411	Measurement unit code	C an..8	C		PCE = Piece (GS1 Temporary Code) KGM = kilogram open codelist 6411	PCE

Segment Notes:
This segment is used to provide price information for the current line item.
Dependency Notes:
Data elements 5284 and 6411 are used when a product is a variable quantity product, e.g. price per 200 kilos, or when the unit of measure for purchasing, delivery, and invoicing are different for a product, e.g. sugar is not a variable quantity product but ordered and delivered in packs, and invoiced in kilos or tonnes.
Example: PRI+AAA:499.99::SRP:9:PCE'

* = Restricted Codes

St = Status
EDIFACT: M=Mandatory, C=Conditional
User specific: R=Required, O=Optional, D=Dependent,
A=Advised, N=Not used, X=Not used

Segment number: 21

UNT - C 1 - Message trailer						
Function: To end and check the completeness of a message.						
Notes: 1. 0062, the value shall be identical to the value in 0062 in the corresponding UNH segment.						
EDIFACT			EAN			
Tag	Name	St/Format	St	*	Usage	Example
0074	Number of segments in a message	M n..10	M		The total number of segments in the message is detailed here.	21
0062	Message reference number	M an..14	M		The message reference numbered detailed here should equal the one specified in the UNH segment.	TS000004
Segment Notes: This segment is a mandatory UN/EDIFACT segment. It must always be the last segment in the message. Example: UNT+21+TS000004'						

* = Restricted Codes

St = Status
EDIFACT: M=Mandatory, C=Conditional
User specific: R=Required, O=Optional, D=Dependent,
A=Advised, N=Not used, X=Not used

Applicable codes, sorted by data elements

0051 Controlling agency, coded

Code	Code name/description
UN	UN/CEFACT United Nations Centre for Trade Facilitation and Electronic Business (UN/CEFACT).

Applicable codes, sorted by data elements

0052 Message version number

Code	Code name/description
D	Draft version/UN/EDIFACT Directory Message approved and issued as a draft message (Valid for directories published after March 1993 and prior to March 1997). Message approved as a standard message (Valid for directories published after March 1997).

Applicable codes, sorted by data elements

0054 Message release number

Code	Code name/description
01B	Release 2001 - B Message approved and issued in the second 2001 release of the UNTDID (United Nations Trade Data Interchange Directory).

Applicable codes, sorted by data elements

0065 Message type

Code	Code name/description
PRICAT	Price/sales catalogue message A code to identify the price/sales catalogue message.

Applicable codes, sorted by data elements

1001 Document name code

Code	Code name/description
9	Price/sales catalogue A document/message to enable the transmission of information regarding pricing and catalogue details for goods and services offered by a seller to a buyer.

Applicable Codes

Applicable codes, sorted by data elements

1153 Reference code qualifier

Code	Code name/description
CT	Contract number Reference number of a contract concluded between parties.
PL	Price list number Reference number assigned to a price list.
VA	VAT registration number Unique number assigned by the relevant tax authority to identify a party for use in relation to Value Added Tax (VAT).

Applicable codes, sorted by data elements

1225 Message function code

Code	Code name/description
4	Change Message containing items to be changed.
47	Definitive Message content is definitive.

Applicable Codes

Applicable codes, sorted by data elements

1229 Action request/notification description code

Code	Code name/description
1	Added The information is to be or has been added.
2	Deleted The information is to be or has been deleted.
3	Changed The information is to be or has been changed.
4	No action This line item is not affected by the actual message.
38	Replaced Provide a replacement.
96	Correction of error A correction to information previously communicated which contained an error.

Applicable codes, sorted by data elements

2005 Date or time or period function code qualifier

Code	Code name/description
137	Document/message date/time (2006) Date/time when a document/message is issued. This may include authentication.
171	Reference date/time Date/time on which the reference was issued.

Applicable codes, sorted by data elements

2379 Date or time or period format code

Code	Code name/description
102	CCYYMMDD Calendar date: C = Century ; Y = Year ; M = Month ; D = Day.
204	CCYYMMDDHHMMSS Calendar date including time with seconds: C=Century;Y=Year; M=Month;D=Day;H=Hour; M=Minute;S=Second.

Applicable codes, sorted by data elements

3035 Party function code qualifier

Code	Code name/description
BY	Buyer Party to whom merchandise and/or service is sold.
SU	Supplier Party who supplies goods and/or services.

Applicable codes, sorted by data elements

3055 Code list responsible agency code

Code	Code name/description
9	GS1 GS1 (formerly EAN International), an organisation of GS1 Member Organisations, which manages the GS1 System.

Applicable Codes

Applicable codes, sorted by data elements

3207 Country name code

Code	Code name/description
AD	ANDORRA
AE	UNITED ARAB EMIRATES
AF	AFGHANISTAN
AG	ANTIGUA AND BARBUDA
AI	ANGUILLA
AL	ALBANIA
AM	ARMENIA
AN	NETHERLANDS ANTILLES
AO	ANGOLA
AQ	ANTARCTICA
AR	ARGENTINA
AS	AMERICAN SAMOA
AT	AUSTRIA
AU	AUSTRALIA
AW	ARUBA
AZ	AZERBAIJAN
BA	BOSNIA AND HERZEGOVINA
BB	BARBADOS
BD	BANGLADESH
BE	BELGIUM
BF	BURKINA FASO
BG	BULGARIA
BH	BAHRAIN
BI	BURUNDI
BJ	BENIN
BM	BERMUDA
BN	BRUNEI DARUSSALAM
BO	BOLIVIA
BR	BRAZIL

Applicable Codes

Applicable codes, sorted by data elements

BS	BAHAMAS
BT	BHUTAN
BV	BOUVET ISLAND
BW	BOTSWANA
BY	BELARUS
BZ	BELIZE
CA	CANADA
CC	COCOS (KEELING) ISLANDS
CD	CONGO, THE DEMOCRATIC REPUBLIC OF THE
CF	CENTRAL AFRICAN REPUBLIC
CG	CONGO
CH	SWITZERLAND
CI	COTE D'IVOIRE
CK	COOK ISLANDS
CL	CHILE
CM	CAMEROON
CN	CHINA
CO	COLOMBIA
CR	COSTA RICA
CU	CUBA
CV	CAPE VERDE
CX	CHRISTMAS ISLAND
CY	CYPRUS
CZ	CZECH REPUBLIC
DE	GERMANY
DJ	DJIBOUTI
DK	DENMARK
DM	DOMINICA
DO	DOMINICAN REPUBLIC
DZ	ALGERIA
EC	ECUADOR
EE	ESTONIA

Applicable Codes

Applicable codes, sorted by data elements

EG	EGYPT
EH	WESTERN SAHARA
ER	ERITREA
ES	SPAIN
ET	ETHIOPIA
FI	FINLAND
FJ	FIJI
FK	FALKLAND ISLANDS (MALVINAS)
FM	MICRONESIA, FEDERATED STATES OF
FO	FAROE ISLANDS
FR	FRANCE
GA	GABON
GB	UNITED KINGDOM
GD	GRENADA
GE	GEORGIA
GF	FRENCH GUIANA
GH	GHANA
GI	GIBRALTAR
GL	GREENLAND
GM	GAMBIA
GN	GUINEA
GP	GUADELOUPE
GQ	EQUATORIAL GUINEA
GR	GREECE
GS	SOUTH GEORGIA AND THE SOUTH SANDWICH ISLANDS
GT	GUATEMALA
GU	GUAM
GW	GUINEA-BISSAU
GY	GUYANA
HK	HONG KONG
HM	HEARD ISLAND AND MCDONALD ISLANDS
HN	HONDURAS

Applicable Codes

Applicable codes, sorted by data elements

HR	CROATIA
HT	HAITI
HU	HUNGARY
ID	INDONESIA
IE	IRELAND
IL	ISRAEL
IN	INDIA
IO	BRITISH INDIAN OCEAN TERRITORY
IQ	IRAQ
IR	IRAN, ISLAMIC REPUBLIC OF
IS	ICELAND
IT	ITALY
JM	JAMAICA
JO	JORDAN
JP	JAPAN
KE	KENYA
KG	KYRGYZSTAN
KH	CAMBODIA
KI	KIRIBATI
KM	COMOROS
KN	SAINT KITTS AND NEVIS
KP	KOREA, DEMOCRATIC PEOPLE'S REPUBLIC OF
KR	KOREA, REPUBLIC OF
KW	KUWAIT
KY	CAYMAN ISLANDS
KZ	KAZAKSTAN
LA	LAO PEOPLE'S DEMOCRATIC REPUBLIC
LB	LEBANON
LC	SAINT LUCIA
LI	LIECHTENSTEIN
LK	SRI LANKA
LR	LIBERIA

Applicable Codes

Applicable codes, sorted by data elements

LS	LESOTHO
LT	LITHUANIA
LU	LUXEMBOURG
LV	LATVIA
LY	LIBYAN ARAB JAMAHIRIYA
MA	MOROCCO
MC	MONACO
MD	MOLDOVA, REPUBLIC OF
MG	MADAGASCAR
MH	MARSHALL ISLANDS
MK	MACEDONIA, THE FORMER YUGOSLAV REPUBLIC OF
ML	MALI
MM	MYANMAR
MN	MONGOLIA
MO	MACAU
MP	NORTHERN MARIANA ISLANDS
MQ	MARTINIQUE
MR	MAURITANIA
MS	MONTSERRAT
MT	MALTA
MU	MAURITIUS
MV	MALDIVES
MW	MALAWI
MX	MEXICO
MY	MALAYSIA
MZ	MOZAMBIQUE
NA	NAMIBIA
NC	NEW CALEDONIA
NE	NIGER
NF	NORFOLK ISLAND
NG	NIGERIA
NI	NICARAGUA

Applicable Codes

Applicable codes, sorted by data elements

NL	NETHERLANDS
NO	NORWAY
NP	NEPAL
NR	NAURU
NU	NIUE
NZ	NEW ZEALAND
OM	OMAN
PA	PANAMA
PE	PERU
PF	FRENCH POLYNESIA
PG	PAPUA NEW GUINEA
PH	PHILIPPINES
PK	PAKISTAN
PL	POLAND
PM	SAINT PIERRE AND MIQUELON
PN	PITCAIRN
PR	PUERTO RICO
PS	PALESTINIAN TERRITORY, OCCUPIED
PT	PORTUGAL
PW	PALAU
PY	PARAGUAY
QA	QATAR
RE	REUNION
RO	ROMANIA
RS	SERBIA
RU	RUSSIAN FEDERATION
RW	RWANDA
SA	SAUDI ARABIA
SB	SOLOMON ISLANDS
SC	SEYCHELLES
SD	SUDAN
SE	SWEDEN

Applicable Codes

Applicable codes, sorted by data elements

SG	SINGAPORE
SH	SAINT HELENA
SI	SLOVENIA
SJ	SVALBARD AND JAN MAYEN
SK	SLOVAKIA
SL	SIERRA LEONE
SM	SAN MARINO
SN	SENEGAL
SO	SOMALIA
SR	SURINAME
ST	SAO TOME AND PRINCIPE
SV	EL SALVADOR
SY	SYRIAN ARAB REPUBLIC
SZ	SWAZILAND
TC	TURKS AND CAICOS ISLANDS
TD	CHAD
TF	FRENCH SOUTHERN TERRITORIES
TG	TOGO
TH	THAILAND
TJ	TAJIKISTAN
TK	TOKELAU
TM	TURKMENISTAN
TN	TUNISIA
TO	TONGA
TP	EAST TIMOR
TR	TURKEY
TT	TRINIDAD AND TOBAGO
TV	TUVALU
TW	TAIWAN, PROVINCE OF CHINA
TZ	TANZANIA, UNITED REPUBLIC OF
UA	UKRAINE
UG	UGANDA

Applicable Codes

Applicable codes, sorted by data elements

UM	UNITED STATES MINOR OUTLYING ISLANDS
US	UNITED STATES
UY	URUGUAY
UZ	UZBEKISTAN
VA	HOLY SEE (VATICAN CITY STATE)
VC	SAINT VINCENT AND THE GRENADINES
VE	VENEZUELA
VG	VIRGIN ISLANDS, BRITISH
VI	VIRGIN ISLANDS, U.S.
VN	VIET NAM
VU	VANUATU
WF	WALLIS AND FUTUNA
WS	SAMOA
YE	YEMEN
YT	MAYOTTE
YU	YUGOSLAVIA
ZA	SOUTH AFRICA
ZM	ZAMBIA
ZW	ZIMBABWE

Applicable Codes

Applicable codes, sorted by data elements

3239 Country of origin name code

Code	Code name/description
AD	ANDORRA
AE	UNITED ARAB EMIRATES
AF	AFGHANISTAN
AG	ANTIGUA AND BARBUDA
AI	ANGUILLA
AL	ALBANIA
AM	ARMENIA
AN	NETHERLANDS ANTILLES
AO	ANGOLA
AQ	ANTARCTICA
AR	ARGENTINA
AS	AMERICAN SAMOA
AT	AUSTRIA
AU	AUSTRALIA
AW	ARUBA
AZ	AZERBAIJAN
BA	BOSNIA AND HERZEGOVINA
BB	BARBADOS
BD	BANGLADESH
BE	BELGIUM
BF	BURKINA FASO
BG	BULGARIA
BH	BAHRAIN
BI	BURUNDI
BJ	BENIN
BM	BERMUDA
BN	BRUNEI DARUSSALAM
BO	BOLIVIA
BR	BRAZIL

Applicable Codes

Applicable codes, sorted by data elements

BS	BAHAMAS
BT	BHUTAN
BV	BOUVET ISLAND
BW	BOTSWANA
BY	BELARUS
BZ	BELIZE
CA	CANADA
CC	COCOS (KEELING) ISLANDS
CD	CONGO, THE DEMOCRATIC REPUBLIC OF THE
CF	CENTRAL AFRICAN REPUBLIC
CG	CONGO
CH	SWITZERLAND
CI	COTE D'IVOIRE
CK	COOK ISLANDS
CL	CHILE
CM	CAMEROON
CN	CHINA
CO	COLOMBIA
CR	COSTA RICA
CU	CUBA
CV	CAPE VERDE
CX	CHRISTMAS ISLAND
CY	CYPRUS
CZ	CZECH REPUBLIC
DE	GERMANY
DJ	DJIBOUTI
DK	DENMARK
DM	DOMINICA
DO	DOMINICAN REPUBLIC
DZ	ALGERIA
EC	ECUADOR
EE	ESTONIA

Applicable Codes

Applicable codes, sorted by data elements

EG	EGYPT
EH	WESTERN SAHARA
ER	ERITREA
ES	SPAIN
ET	ETHIOPIA
EU	EU (GS1 Temporary Code) European Union
FI	FINLAND
FJ	FIJI
FK	FALKLAND ISLANDS (MALVINAS)
FM	MICRONESIA, FEDERATED STATES OF
FO	FAROE ISLANDS
FR	FRANCE
GA	GABON
GB	UNITED KINGDOM
GD	GRENADA
GE	GEORGIA
GF	FRENCH GUIANA
GH	GHANA
GI	GIBRALTAR
GL	GREENLAND
GM	GAMBIA
GN	GUINEA
GP	GUADELOUPE
GQ	EQUATORIAL GUINEA
GR	GREECE
GS	SOUTH GEORGIA AND THE SOUTH SANDWICH ISLANDS
GT	GUATEMALA
GU	GUAM
GW	GUINEA-BISSAU
GY	GUYANA
HK	HONG KONG

Applicable Codes

Applicable codes, sorted by data elements

HM	HEARD ISLAND AND MCDONALD ISLANDS
HN	HONDURAS
HR	CROATIA
HT	HAITI
HU	HUNGARY
ID	INDONESIA
IE	IRELAND
IL	ISRAEL
IN	INDIA
IO	BRITISH INDIAN OCEAN TERRITORY
IQ	IRAQ
IR	IRAN, ISLAMIC REPUBLIC OF
IS	ICELAND
IT	ITALY
JM	JAMAICA
JO	JORDAN
JP	JAPAN
KE	KENYA
KG	KYRGYZSTAN
KH	CAMBODIA
KI	KIRIBATI
KM	COMOROS
KN	SAINT KITTS AND NEVIS
KP	KOREA, DEMOCRATIC PEOPLE'S REPUBLIC OF
KR	KOREA, REPUBLIC OF
KW	KUWAIT
KY	CAYMAN ISLANDS
KZ	KAZAKSTAN
LA	LAO PEOPLE'S DEMOCRATIC REPUBLIC
LB	LEBANON
LC	SAINT LUCIA
LI	LIECHTENSTEIN

Applicable Codes

Applicable codes, sorted by data elements

LK	SRI LANKA
LR	LIBERIA
LS	LESOTHO
LT	LITHUANIA
LU	LUXEMBOURG
LV	LATVIA
LY	LIBYAN ARAB JAMAHIRIYA
MA	MOROCCO
MC	MONACO
MD	MOLDOVA, REPUBLIC OF
MG	MADAGASCAR
MH	MARSHALL ISLANDS
MK	MACEDONIA, THE FORMER YUGOSLAV REPUBLIC OF
ML	MALI
MM	MYANMAR
MN	MONGOLIA
MO	MACAU
MP	NORTHERN MARIANA ISLANDS
MQ	MARTINIQUE
MR	MAURITANIA
MS	MONTSERRAT
MT	MALTA
MU	MAURITIUS
MV	MALDIVES
MW	MALAWI
MX	MEXICO
MY	MALAYSIA
MZ	MOZAMBIQUE
NA	NAMIBIA
NC	NEW CALEDONIA
NE	NIGER
NF	NORFOLK ISLAND

Applicable Codes

Applicable codes, sorted by data elements

NG	NIGERIA
NI	NICARAGUA
NL	NETHERLANDS
NO	NORWAY
NP	NEPAL
NR	NAURU
NU	NIUE
NZ	NEW ZEALAND
OM	OMAN
PA	PANAMA
PE	PERU
PF	FRENCH POLYNESIA
PG	PAPUA NEW GUINEA
PH	PHILIPPINES
PK	PAKISTAN
PL	POLAND
PM	SAINT PIERRE AND MIQUELON
PN	PITCAIRN
PR	PUERTO RICO
PS	PALESTINIAN TERRITORY, OCCUPIED
PT	PORTUGAL
PW	PALAU
PY	PARAGUAY
QA	QATAR
RE	REUNION
RO	ROMANIA
RU	RUSSIAN FEDERATION
RW	RWANDA
SA	SAUDI ARABIA
SB	SOLOMON ISLANDS
SC	SEYCHELLES
SD	SUDAN

Applicable Codes

Applicable codes, sorted by data elements

SE	SWEDEN
SG	SINGAPORE
SH	SAINT HELENA
SI	SLOVENIA
SJ	SVALBARD AND JAN MAYEN
SK	SLOVAKIA
SL	SIERRA LEONE
SM	SAN MARINO
SN	SENEGAL
SO	SOMALIA
SR	SURINAME
ST	SAO TOME AND PRINCIPE
SV	EL SALVADOR
SY	SYRIAN ARAB REPUBLIC
SZ	SWAZILAND
TC	TURKS AND CAICOS ISLANDS
TD	CHAD
TF	FRENCH SOUTHERN TERRITORIES
TG	TOGO
TH	THAILAND
TJ	TAJIKISTAN
TK	TOKELAU
TM	TURKMENISTAN
TN	TUNISIA
TO	TONGA
TP	EAST TIMOR
TR	TURKEY
TT	TRINIDAD AND TOBAGO
TV	TUVALU
TW	TAIWAN, PROVINCE OF CHINA
TZ	TANZANIA, UNITED REPUBLIC OF
UA	UKRAINE

Applicable Codes

Applicable codes, sorted by data elements

UG	UGANDA
UM	UNITED STATES MINOR OUTLYING ISLANDS
US	UNITED STATES
UY	URUGUAY
UZ	UZBEKISTAN
VA	HOLY SEE (VATICAN CITY STATE)
VC	SAINT VINCENT AND THE GRENADINES
VE	VENEZUELA
VG	VIRGIN ISLANDS, BRITISH
VI	VIRGIN ISLANDS, U.S.
VN	VIET NAM
VU	VANUATU
WF	WALLIS AND FUTUNA
WS	SAMOA
YE	YEMEN
YT	MAYOTTE
YU	YUGOSLAVIA
ZA	SOUTH AFRICA
ZM	ZAMBIA
ZW	ZIMBABWE

Applicable codes, sorted by data elements

4183 Special condition code

Code	Code name/description
172	Production batch number allocated A batch number is allocated by the manufacturer to the item.

Applicable codes, sorted by data elements

4347 Product identifier code qualifier

Code	Code name/description
5	Product identification The item number is for product identification.

Applicable codes, sorted by data elements

4441 Free text value code

Code	Code name/description
78E	Proof Of Delivery (GS1 Permanent Code) The mentioned URL refers to a Proof of Delivery document.

Applicable codes, sorted by data elements

4451 Text subject code qualifier

Code	Code name/description
PRD	Product information The text contains product information.

Applicable Codes

Applicable codes, sorted by data elements

5125 Price code qualifier

Code	Code name/description
AAA	Calculation net The price stated is the net price including allowances/ charges. Allowances/charges may be stated for information only.
AAB	Calculation gross The price stated is the gross price to which allowances/charges, if valid, must be applied.

Applicable codes, sorted by data elements

5153 Duty or tax or fee type name code

Code	Code name/description
VAT	Value added tax A tax on domestic or imported goods applied to the value added at each stage in the production/distribution cycle.

Applicable codes, sorted by data elements

5283 Duty or tax or fee function code qualifier

Code	Code name/description
7	Tax Contribution levied by an authority.

Applicable Codes

Applicable codes, sorted by data elements

5305 Duty or tax or fee category code

Code	Code name/description
AE	VAT Reverse Charge Code specifying that the standard VAT rate is levied from the invoicee.
E	Exempt from tax Code specifying that taxes are not applicable.
G	Free export item, tax not charged Indication that the VAT margin scheme for second-hand goods is applied.
K	VAT exempt for EEA intra-community supply of goods and services
O	Services outside scope of tax Code specifying that taxes are not applicable to the services.
S	Standard rate Code specifying the standard rate.
Z	Zero rated goods Code specifying that the goods are at a zero rate.

Applicable codes, sorted by data elements

5379 Product group type code

Code	Code name/description
2	No price group used Code specifying that the product is not subject to price group.

Applicable codes, sorted by data elements

5387 Price specification code

Code	Code name/description
INV	Invoice price Price per unit of quantity of a product as specified on an invoice.
SRP	Suggested retail price Price per unit of quantity of a product suggested for retail.

Applicable codes, sorted by data elements

6311 Measurement purpose code qualifier

Code	Code name/description
AAE	Measurement [6314] Value of the measured unit.

Applicable Codes

Applicable codes, sorted by data elements

6313 Measured attribute code

Code	Code name/description
AAA	Unit net weight
AAB	Unit gross weight [6292] Weight (mass) of goods including packing but excluding the carrier's equipment.
ABJ	Volume The amount of air space taken up by the entity identified in the 6311 qualifier.

Applicable Codes

Applicable codes, sorted by data elements

6321 Measurement significance code

Code	Code name/description
3	Approximately The measurement is approximately equal to that specified.
4	Equal to The measurement is equal to that specified.
5	Greater than or equal to The measurement is greater than or equal to that specified.
6	Greater than The measurement is greater than that specified.
7	Less than The measurement is less than that specified.
8	Less than or equal to The measurement is less than or equal to that specified.
12	True value The measurement reported is a true value.

Applicable codes, sorted by data elements

6345 Currency identification code

Code	Code name/description
EUR	Euro

Applicable Codes

Applicable codes, sorted by data elements

6347 Currency usage code qualifier

Code	Code name/description
1	Charge payment currency The currency in which charges are to be paid.
2	Reference currency The currency applicable to amounts stated. It may have to be converted.
3	Target currency The currency which should be used to the target destination of the transaction.

Applicable codes, sorted by data elements

6411 Measurement unit code

Code	Code name/description
CMT	centimetre
KGM	kilogram
LTR	litre
MTQ	cubic metre
MTR	metre
PCE	Piece (GS1 Temporary Code)

Applicable codes, sorted by data elements

7077 Description format code

Code	Code name/description
F	Free-form Description of an item in free form text.

Applicable codes, sorted by data elements

7081 Item characteristic code

Code	Code name/description
ANM	Article name (GS1 Temporary Code) The name of the product.
BRN	Brand name (GS1 Temporary Code) Brand name used by the manufacturer for a product.

Applicable Codes

Applicable codes, sorted by data elements

7143 Item type identification code

Code	Code name/description
HS	Harmonised system The item number is part of, or is generated in the context of the Harmonised Commodity Description and Coding System (Harmonised System), as developed and maintained by the World Customs Organization (WCO).
IN	Buyer's item number The item number has been allocated by the buyer.
MF	Manufacturer's (producer's) article number The number given to an article by its manufacturer.
SA	Supplier's article number Number assigned to an article by the supplier of that article.
SRV	GS1 Global Trade Item Number A unique number, up to 14-digits, assigned according to the numbering structure of the GS1 system. 'GS1' stands for the 'Global Standards One'.

No	Tag	Example
01	UNH	UNH+TS000004+PRICAT:D:01B:UN'
02	BGM	BGM+9+PC32458+47'
03	DTM	DTM+137:20210301:102'
	SG1	
04	RFF	RFF+CT:5622ABE'
05	DTM	DTM+171:20210105:102'
	SG2	
06	NAD	NAD+BY+3830018249996::9++TELEKOM SLOVENIJE, d.d.:X+Cigaletova ulica 15:X +Ljubljana++1000+SI'
	SG3	
07	RFF	RFF+VA:SI98511734'
	SG2	
08	NAD	NAD+SU+3834567000210::9++Dobavitelj d.o.o.:X+Dobaviteljeva ulica 20:X+Nova Go rica++5000+SI'
	SG3	
09	RFF	RFF+VA:SI12345678'
	SG6	
10	CUX	CUX+2:EUR'
	SG17	
11	PGI	PGI+2'
	SG36	
12	LIN	LIN+1+1+8806000007501:SRV'
13	PIA	PIA+5+233976:SA'
14	IMD	IMD+F+ANM+:::LED TV 50AB0001:X'
15	IMD	IMD+F+BRN+:::Gorenje'
16	MEA	MEA+AAE+AAA:3+KGM:10'
17	ALI	ALI+SI++172'
18	FTX	FTX+PRD+++Širokozaslonski LED Smart TV sprejemnik.:X:X:X'
	SG38	
19	TAX	TAX+7+VAT+++:::22+S'
	SG40	
20	PRI	PRI+AAA:499.99::SRP:9:PCE'
21	UNT	UNT+21+TS000004'

No = Consecutive segment number